

TEAC SERVICE MANUAL

MASTER COPY
DO NOT REMOVE

CT-M28S

CONTROLLED	
AUTHORITY <i>[Signature]</i>	DATE 11/7/91

CAUTION

BEFORE SERVICING THE CHASSIS, READ THE "SAFETY PRECAUTION", "X-RAY RADIATION PRECAUTION" AND PRODUCT SAFETY NOTICE" ON PAGE 2 OF THIS MANUAL".

X-RAY RADIATION PRECAUTION

1. Excessive high voltage can produce potentially hazardous X-RAY RADIATION. To avoid such hazards, the high voltage must not be above the specified limit. The normal value of the high voltage of this receiver is 27 KV at zero beam current (minimum brightness) under 220V AC power source. The high voltage must not, under any circumstances, exceed 30 KV.
2. Each time a receiver requires servicing, the high voltage should be checked following the HIGH VOLTAGE CHECK procedure in this manual. It is recommended the reading of the high voltage be recorded as a part of the service record. It is important to use an accurate and reliable high voltage meter.
3. The primary source of in this TV receiver is the picture tube. For continued X-RAY RADIATION protection, the replacement tube must be exactly the same type tube as specified in the parts list.
4. Some parts in this receiver have special safety-related characteristics for X-RAY RADIATION protection. For continued safety parts replacement should be undertaken only after referring to the PRODUCT SAFETY NOTICE below.

SAFETY PRECAUTION

WARNING: Service should not be attempted by anyone unfamiliar with the necessary precautions on this receiver.

The following are the necessary precautions to be observed before servicing this chassis.

1. Since the power supply circuit of this receiver is directly connected to the AC power line, an isolation transformer should be used during any dynamic service to avoid possible shock hazard.
2. Always discharge the picture tube anode to the CRT conductive coating before handling the picture tube. The picture tube is highly evacuated and if broken, glass fragments will be violently expelled. Use shatter proof goggles and keep picture tube away from the unprotected body while handling.
3. When replacing a chassis in the cabinet, always be certain that all the protective devices are put back in place, such as; non-metallic control knobs, insulating covers, shields, isolation resistor-capacitor network etc.
4. When replacing parts or circuit boards, disconnect the power cord.
5. When replacing a high wattage resistor (oxide metal film resistor) on circuit board, keep the resistor 10mm (1/2 in.) away from circuit board.
6. Connection wires must be kept away from components with high voltage or high temperature.
7. If any fuse in this TV receiver is blown, replace it with the FUSE specified in the chassis parts list.
8. The receiver is designed to operate with 200V (50Hz) AC mains.

PRODUCT SAFETY NOTICE

Many electrical and mechanical parts in this chassis have special safety-related characteristics. These characteristics are often passed unnoticed by a visual inspection and the X-RAY RADIATION protection afforded by them cannot necessarily be obtained by using replacement components rated for higher wattage, etc. Replacement parts which have these special safety characteristics are identified in this manual and its supplements electrical components having such features are shaded on the schematic diagram and the parts list.

OPERATION CONTROLS

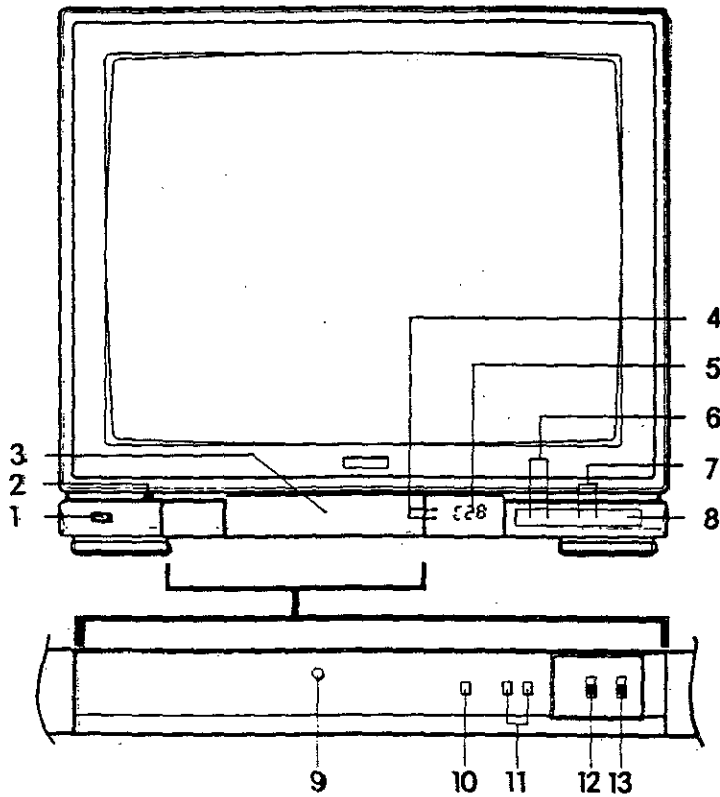


Fig. 1

1. Mains Switch
2. Stereo Phone Jack
3. Control Compartment door
4. Audio A/B Indicator
5. Programme/Channel Indicator
6. Volume +/- Control
7. Programme/Channel +/-
8. Programme Channel Selector
9. Contrast Control
10. Normal Factory Value
11. Fine Tune +/-
12. Mono/Stereo Selector
13. BG/L System Selector
14. Internal/External Speaker Selector
15. External Speaker Terminals
16. Aerial Jack
17. Peritelevision Socket
18. Right Speaker
19. Left Speaker
20. AC Line Cord
21. Audio Out (Left)
22. Audio Out (Right)

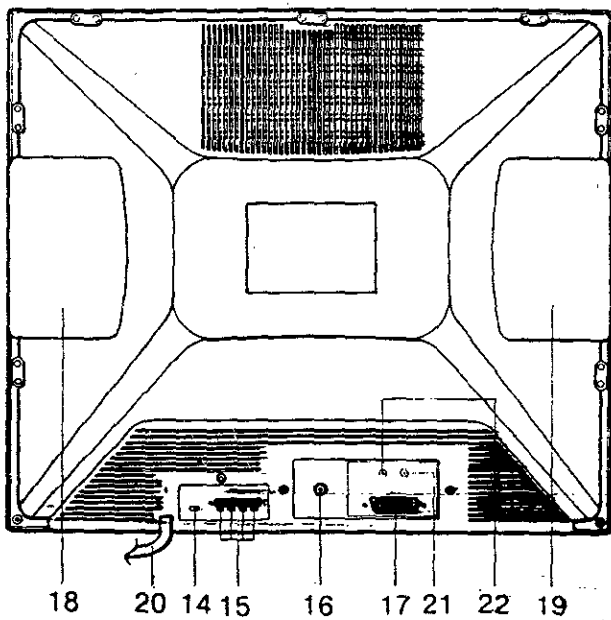


Fig. 2

CONNECTIONS

Mains

This receiver is designed to operate on AC 220V/50Hz mains supply.

Aerial

The 75 ohm coaxial cable from the VHF/UHF aerial can be directly connected to the Aerial Socket on the rear panel. The position and direction of aerial must be selected for best reception. When you use 300 Ω cable, connect it to a 300 Ω - 75 Ω Aerial Transformer and then the transformer into the Aerial Socket.

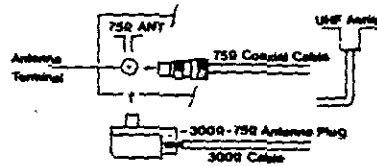


Fig. 3

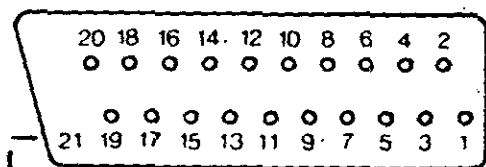
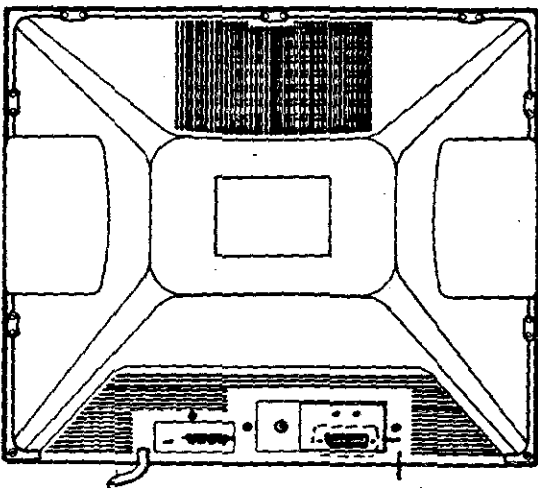
Stereo Headphone Jack

This jack is provided for connecting a stereo headphone for private listening. The speakers will be automatically cut off when the stereo headphone is plugged into this jack.

Speakers Terminals

Connect external speakers to these terminals.

STANDARD CONNECTION OF PERITELEVISION FOR TV AND VIDEO SYSTEM



- 10. No Connection
- 11. Luminance signal input "Green"
- 12. No Connection
- 13. Ground of luminance signal "Red"
- 14. Ground
- 15. Luminance signal input "Red"
- 16. R.G.B. switching voltage
- 17. Ground "Video"
- 18. Ground of switching input
- 19. Video Out
- 20. Video In
- 21. Ground chassis

- 1. Audio Out
Right channel "Stereo"
- 2. Audio In
Right channel "Stereo"
- 3. Audio Out
Left channel "Stereo"
- 4. Ground "Audio"
- 5. Ground of luminance signal "Blue"
- 6. Audio In
Left channel "Stereo" or Monophonograph
- 7. Luminance signal input "Blue"
- 8. Video switching voltage
- 9. Ground of luminance signal "Green"

With a suitable Peritelevision plug, it can be connected to the following appliances: video-tape recorder, video camera, tape recorder and audio amplifier, etc.....

WARNING: BEFORE SERVICING THE CHASSIS, READ THE "X-RAY RADIATION PRECAUTION" "SAFETY PRECAUTION" AND "PRODUCT SAFETY NOTICE" ON PAGE 2 OF THIS MANUAL.

CABINET BACK REMOVAL (See Figure 5)

1. Disconnect the antenna leads from the antenna terminals.
2. Remove the screws securing the Cabinet Back to the Cabinet Front and detach the cabinet back.

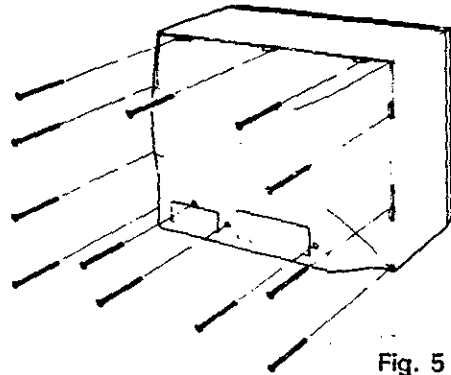


Fig. 5

CHASSIS REMOVAL

Following the steps under Cabinet Back Removal, proceed as follows:-

1. Unplug the CRT grounding wire socket connected to the CRT Socket Board.
2. Detach the picture tube anode cap.
3. Detach the CRT Socket (CRT Socket Board).
4. Lift up the Teletext Board first.
5. Remove screw (A) securing the Main Board to the Cabinet Front.
6. Slide out the chassis from the chassis holder.
7. Remove screw B and lift up the Power Cord Holder as shown to take out the Power Board.
8. Remove screws as shown in fig. 7 to take out the Control Board.

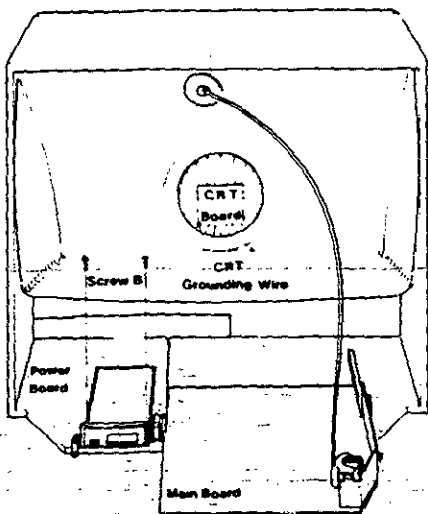


Fig. 6

Screw A

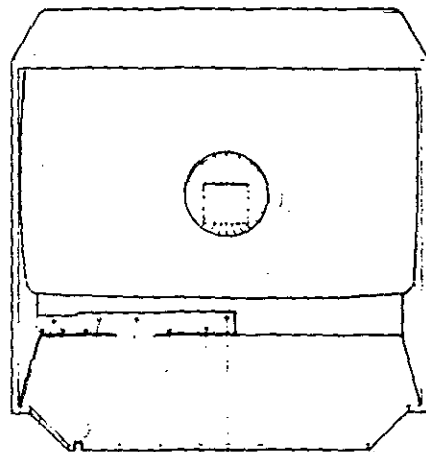


Fig. 7

PICTURE TUBE REMOVAL (See figure 8)

Following the steps under CHASSIS REMOVAL proceed as follows:

1. Place the cabinet with the front down on a rolled pad or some suitable cushion placed near the top edge of the front panel.
2. Remove 4 screws securing the picture tube to the cabinet, and detach the CRT with the degaussing coil, then grasp the face plate edge of the picture tube with both hands and take out the picture tube.
3. Detach the CRT grounding wire which is attached to the picture tube lugs with spring.

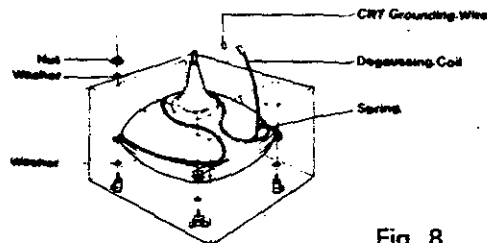


Fig. 8

GENERAL ADJUSTMENT INSTRUCTION

This receiver is transistorized and special care should be taken when servicing. Read the following matters that demand special attention before attempting adjustment.

1. Adjustment requires an exact procedure and should be undertaken only when necessary.
2. An isolation transformer should be used during any dynamic service to avoid possible shock hazard.
3. The test equipment specified or its equivalent is required to perform the alignment properly. Use of equipment which does not meet these requirements may result in improper alignment.
4. Correct matching of the equipment is essential. Failure to use proper matching will result in responses which can not represent the true operation of the receiver.
5. The AC power line voltage should be kept 215 to 225 volts 50 Hz during alignment.
6. Do not attempt to connect or disconnect any wire while the receiver is in operation. Make sure the power cord is disconnected before replacing parts in the receiver.
7. Unless otherwise noted, do not perform any adjustment until the receiver has been turned on for at least 10 minutes.

Note: For safety sake, the following adjustment should be conducted with the low voltage DC supply to avoid shock hazard.

A). Picture and Sound I.F. Adjustment

Test Equipment:

1. AM/FM signal generator (4.5MHz—6.5MHz)
2. Sweep/Marker signal operator (30MHz—60MHz)
3. Sync. oscilloscope.
4. Oscilloscope (volt sensitivity over 10 mV and input impedance over 1 Mohm, below 10PF).
5. Probe (Low capacitance)
6. High impedance electronic voltmeter or VTVM (Input impedance having 100 Kohm/V at least.
7. DC power supply (Source such as a battery or a well regulated and isolated DC bias supply).
8. Frequency counter.

B). Picture I.F. and 31.5MHz Alignment

P.I.F. Alignment

- (a) Connect the signal output of sweep/marker generator to the Test Point of tuner through 1 Kohm resistor and 1000PF capacitor (See Fig. 9).
- (b) Connect the vertical input terminal of an sync oscilloscope in series with a 100 Kohm resistor to TP1.
- (c) Apply a + 16V DC across C310 on Main Board.
- (d) Apply a + 2.2V DC dummy AGC bias to Pin 15 of IC101 through 500 ohm resistor.
- (e) Tune L105 to obtain a waveform as shown in Fig. 10.

C). 31.9MHz and 40.4MHz Traps Alignment

- (a) Connect the detector as shown in Fig. 11.
- (b) Sweep Signal output set to 100 dB.
- (c) Tune L113 for 31.9MHz as shown in Fig. 12.
- (d) Tune L112 for 40.4MHz as shown in Fig. 12.

D). Quasi- Sound I.F. 38.9MHz Adjustment

- (a) Connect the sync oscilloscope in series with a 100 Kohm resistor to TP3.
- (b) Short Pin 15 of IC101 to ground.
- (c) Tune L109 for waveform as shown in Fig. 13.

E). L Sound I.F. Alignment

- (a) Connect the signal output of sweep/marker generator to TP on tuner through 1 Kohm resistor and 1000PF capacitor. (See Fig. 9)
- (b) Connect the vertical input terminal of an sync oscilloscope in series with a 100 Kohm resistor to TP6 (IC804-Pin 11)
- (c) Short C115 to ground.
- (d) Adjust L106, L107, L108 to obtain a waveform as shown in Fig. 14.

F). S.I.F. Alignment (5.5MHz, 5.74MHz)

- (a) Set FM signal generator to 5.5MHz with AF 400Hz, 25KHz FM modulation output level 66dB. Apply this signal to TP3 through a 1 Kohm resistor and a 1000PF capacitor. As shown in Figure 15.
- (b) Short Pin 15 of IC101 to B + 12V.
- (c) Connect the oscilloscope input in Series with a 100 Kohm resistor to TP4.
- (d) Apply a + 16V DC across C310.
- (e) Fine adjust L801 to obtain a maximum amplitude signal output with minimum distortion.
- (f) Set signal generator to frequency 5.74MHz.
- (g) Connect the oscilloscope input in series with 100 Kohm resistor to TP5.
- (h) Fine adjust L802 to obtain a maximum amplitude signal output with minimum distortion.

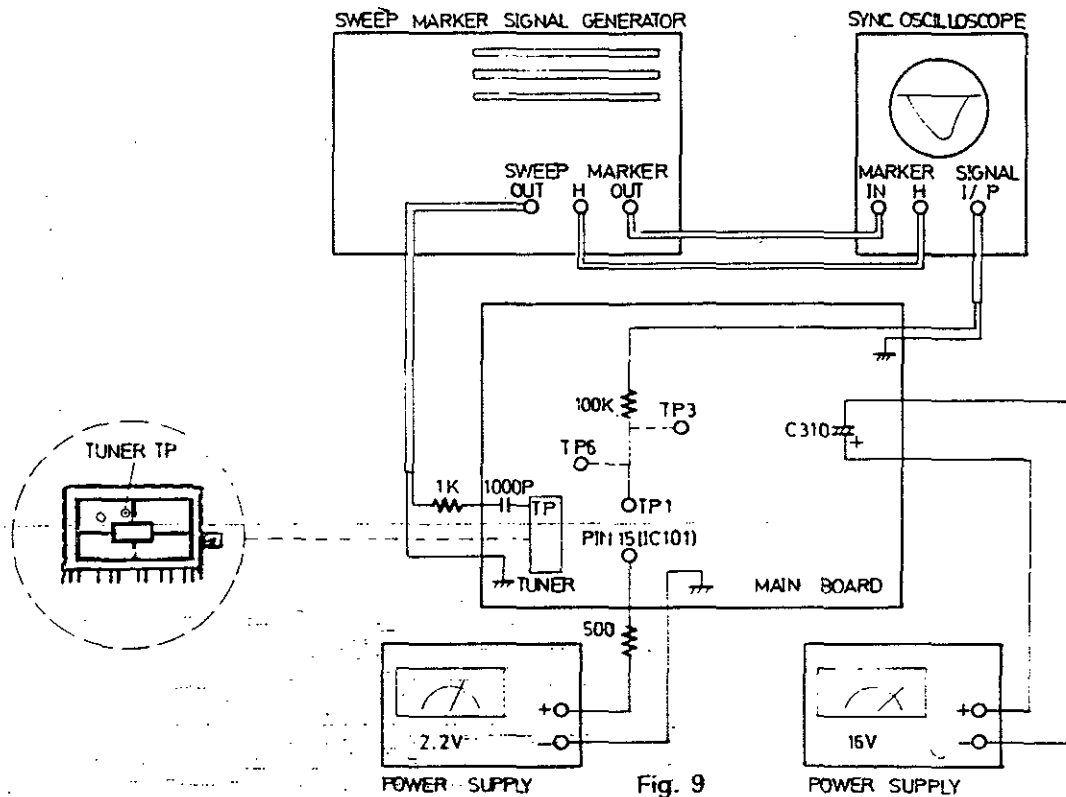


Fig. 9

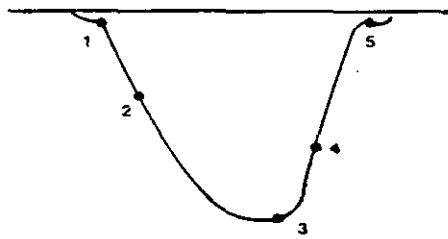


Fig. 10 P.I.F. Response Curve

P.I.F. RESPONSE

NO.	B/G.	dB
1	33.4 MHz	-20 -26
2	34.47 MHz	-6 ± 1
3	37.9 MHz	0
4	38.9 MHz	-3 ± 1
5	40.4 MHz	> -40

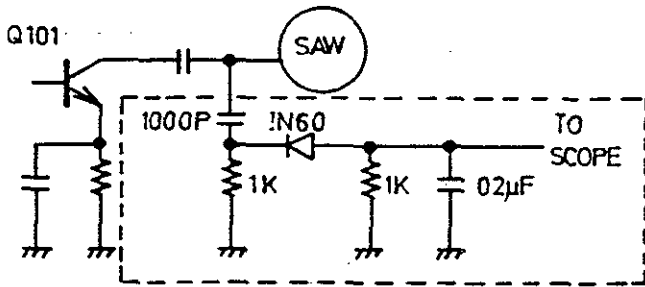


Fig. 11

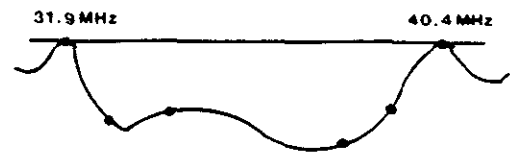


Fig. 12

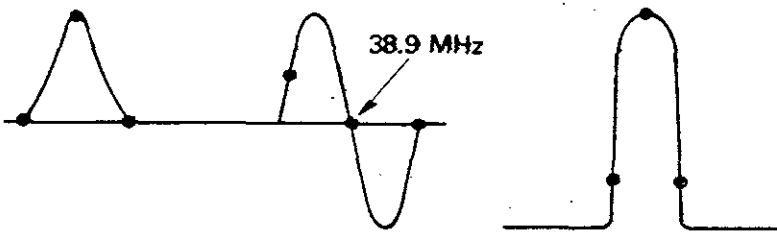


Fig. 13 (Quasi-sound I.F. 38.9 MHz)

Fig. 14

P.I.F. RESPONSE

NO.	B/G.	dB
1	31.4 MHz	-6 ± 1
2	32.4 MHz	0
3	33.4 MHz	-6 ± 1

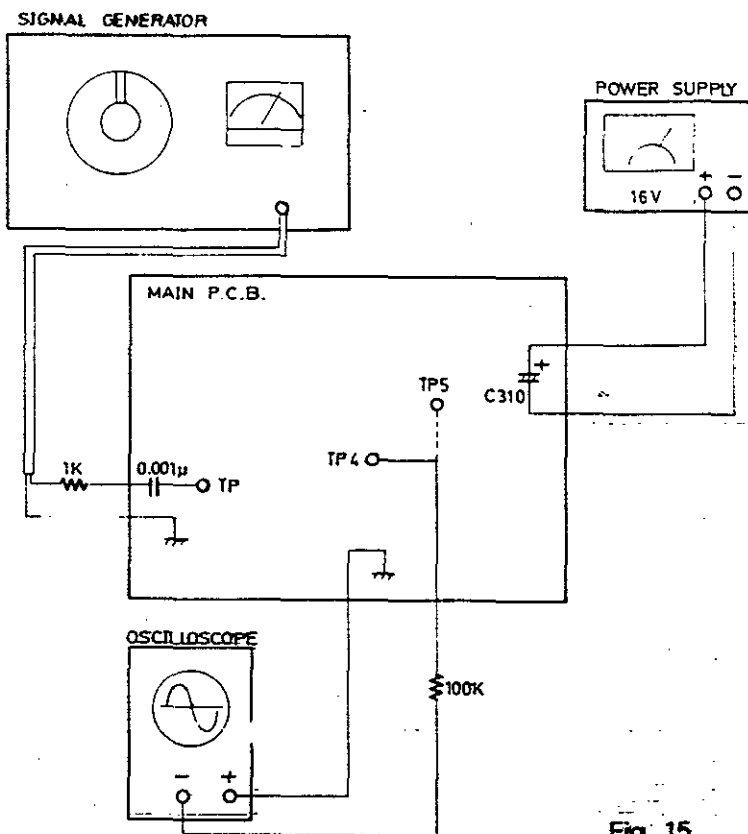


Fig. 15

GENERAL ADJUSTMENT

1. Automatic Degaussing

An automatic degaussing coil is attached around the picture tube, degaussing the tube properly in about one second after the set is switched on. If the receiver is moved or faced in a different direction, the power must be switched off at least 15 minutes in order that the automatic degaussing circuit operates properly. External degaussing is necessary if the automatic degaussing proves ineffective after the set is moved. External degaussing is done by moving a degaussing coil circlewise in front of the face plate and then moving it away step by step until it is about two meters from the screen, then switch off the degaussing coil. If residual color spots are still found on the screen, adjust the color purity and convergence.

See procedure of these adjustment in this manual.

2. B+ (150V) Adjustment

CAUTION: To avoid X-ray hazards, B+ voltage must be set correctly at 150V position.

- (a) Make sure the AC Power Supply is 220V, 50Hz.
- (b) Switch on the TV receiver, tune in an active channel and adjust brightness/contrast for maximum.
- (c) On Main PCB, check the B+ voltage at C322 with a reliable DC voltmeter.
- (d) Adjust VR601 on Power Supply PCB for B+ 150V voltage reading.

3. High Voltage Check

CAUTION: There is no high voltage adjustment in this chassis, B+ 150V voltage directly relates to the high voltage, it must be properly adjusted to insure the correct high voltage. The high voltage must not exceed 30kV under any conditions.

- (a) Connect an accurate high voltage meter to the second anode cap of the picture tube.
- (b) Turn on the receiver, set brightness and contrast controls to minimum. (Zero beam current)
- (c) Make sure the high voltage does not exceed 30kV.
- (d) No matter whether the luminance, contrast and chrominance controls are set to maximum or minimum, the high voltage must be kept under 30kV.

4. Height Adjustment

- (a) Receive the Philips Pattern signal.
- (b) Adjust the height control (VR206) to slightly overscan the screen.

5. Focusing Adjustment

- (a) Receive the Philips Pattern signal.
- (b) Set the contrast control to the normal position.
- (c) Adjust focus for a well-defined, sharpest display on the screen.

6. White Balance Adjustment

- (a) Set TV brightness control to minimum and switch to AV mode.
- (b) Set the R.G.B. cut off controls (VR503, VR504, VR505) and the G.B. drive controls (VR501, VR502) at center positions.
- (c) Rotate the screen control on the FBT fully counter clockwise.
- (d) Connect TP16 to ground with a jumper wire.
- (e) Rotate the screen control gradually clockwise until the first horizontal line appears on the screen.
- (f) If the first horizontal line is in blue, adjust VR503, VR504 to increase the red and green component level to get a white horizontal line.
- (g) Remove the jumper wire and switch back to TV, set color to minimum. Adjust VR501, VR502 to maintain a good white balance at the brightest part of the screen.
- (h) Use white balance checker to fine adjust (VR503, VR504, VR505) at 25% brightness level and (VR501, VR502) at 75% brightness level.

7. Delay AGC Adjustment

- (a) Tune in the color bar pattern signal.
- (b) Set input signal level at 70dB.
- (c) Connect a high impedance DC voltmeter to tuner AGC terminal.
- (d) Adjust AGC control (VRT01) for 7.2V \pm 0.2V reading.
- (e) Increase input signal level to 100dB.
- (f) Check for normal picture, sound and sync.

8. Sub-Brightness Adjustment

- Set TV controls to normal.
- Switch TV to AV.
- Adjust sub-brightness control (VR203) until light just appears on the screen.

9. Sub-Color Adjustment

- Receive the Philips Pattern signal.
- Set color control on remote control to the minimum.
- Adjust sub-color control (VR201) until the color just disappears.

10. Stereo Adjustment

- *A. (a) Receive a pattern with stereo signal. (Channel R modulation: 1 KHz, Channel L: no modulation)
- Connect a 8 ohm dummy load each across (Channel R+-) and (Channel L+-) in parallel with a VTVM and a oscilloscope.
 - Adjust VR801, VR802 to minimize the level of Channel L.
 - Check the stereo separation which must be over 26dB.
- *B. (a) Receive a Pattern with Stereo Signal. Connect oscilloscope to Pin 28 of IC803. Adjust L803 for maximum waveform.
- Connect oscilloscope to Pin 5 of IC803. Adjust VR802 for maximum amplitude of the 117.5 Hz Signal.
 - Receive a Bilingual Signal Connect oscilloscope to Pin 6 of IC803 for maximum amplitude of the 274.1Hz Signal.
 - Receive Stereo Signal (R modulation: 1KHz L. No Modulation). connect a 8 ohm dummy load each across (Channel R+/-) and (Channel L+/-) in parallel with a VTVM and oscilloscope. Adjust VR804 to minimize level of channel L. Check the Stereo Separation which be over 26dB.

*A. For IC TDA4940, TDA4941.

*B. For IC TDA3803A, UPC1391H.

11. PAL Matrix Adjustment

- Tune in a color bar signal.
- Use oscilloscope with 2 channels input and set to the "X-Y" mode.
- Channel 1 (X) connected to TP19 (Pin 3 of IC201) (R-Y).
- Channel 2 (Y) connected to TP18 (Pin 1 of IC201) (B-Y).
- Adjust amplitude balance VR204 until the center points of the two waveforms coincided (as shown in Fig. 16).
- Adjust L103 until all other points of the two waveforms coincided (as shown in Fig. 16).

12. Pin Cushion Adjustment

- Receive the Philips Pattern Signal.
- Adjust the width control (VR301) until overscan the screen.
- Adjust the trapeze control (VR302) until the trapeze minimum distortion.
- Adjust the Fast/West control (VR303) until the Pin cushion minimum distortion.
- Adjust L302 for minimum distortion of horizontal linearity.

COLOUR DECODER ADJUSTMENT FOR SECAM SYSTEM

1. Identifier Adjustment

- Apply a SECAM color bar signal (60dB level) to the input.
- Connect a high impedance DC voltmeter to TP10 (Pin 23 of IC201).
- Adjust L207 of the ident filter for maximum voltage at Pin 23 ($\approx 10V$)

2. Bell Filter Adjustment

- Apply a SECAM color bar signal (60dB level) to the antenna input.
- Connect an oscilloscope to TP11 (Pin 18 of IC201).
- Adjust L205 to make the envelop of color bar signal into flat response (Fig. 17).

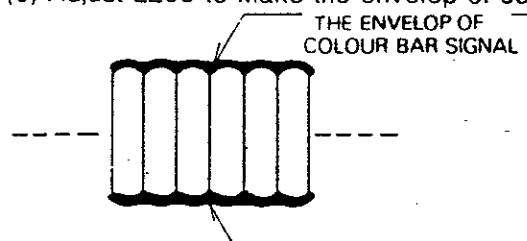


Fig. 22 SECAM Color Bar Signal

3. B-Y Demodulation

- (a) Apply a SECAM color bar signal to the input.
- (b) Connect an oscilloscope to TP18 (Pin 1 of IC201).
- (c) Adjust L201 to obtain a B-Y signal with correct chrominance output, as shown in Fig. 18.

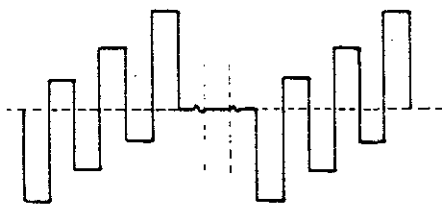


Fig. 18 B-Y Signal

4. R-Y Demodulation

- (a) Apply a SECAM color bar signal.
- (b) Connect an oscilloscope to TP19 (Pin 3 of IC201).
- (c) Adjust L202 to obtain a R-Y signal with correct chrominance output, as shown in Fig. 19.

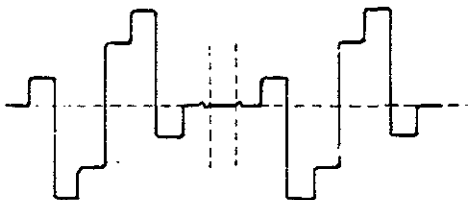


Fig. 19 R-Y Signal

TELETEXT 6MHz ADJUSTMENT

- (a) Connect the frequency counter to TP1401 on Teletext Board.
- (b) Adjust VC1401 on Teletext Board for frequency $6\text{MHz} \pm 0.2\text{KHz}$.

TELETEXT CONTRAST ADJUSTMENT

- (a) Connect the oscilloscope to Pin 1 of Socket M.
- (b) Select a Teletext Page.
- (c) Set contrast control VR202 to the maximum.
- (d) Adjust VR1401 for 3vp-P white signal. (as shown in Fig.20)

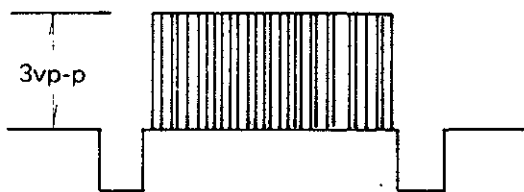


Fig. 20

BLOCK DIAGRAM (A)

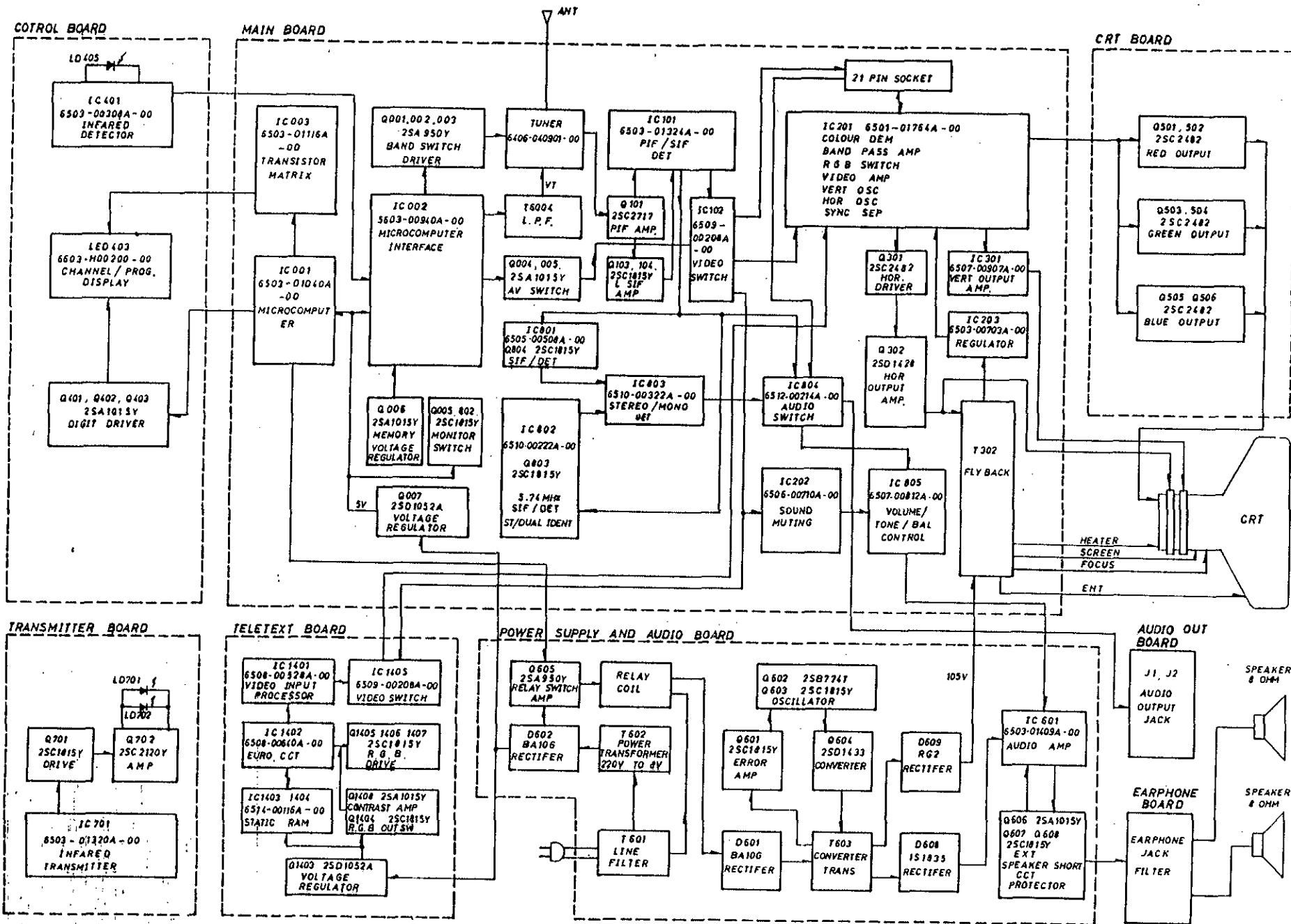
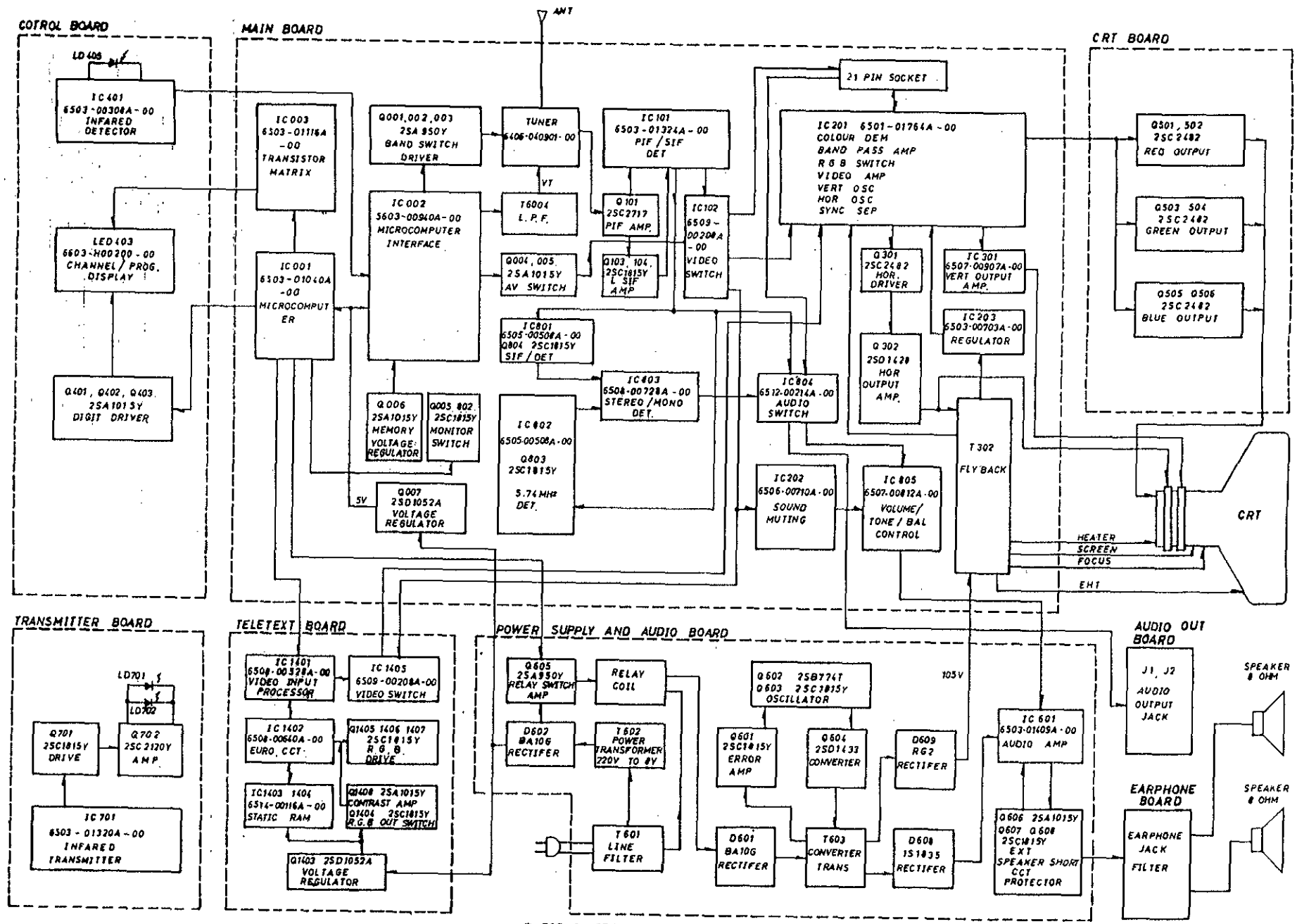


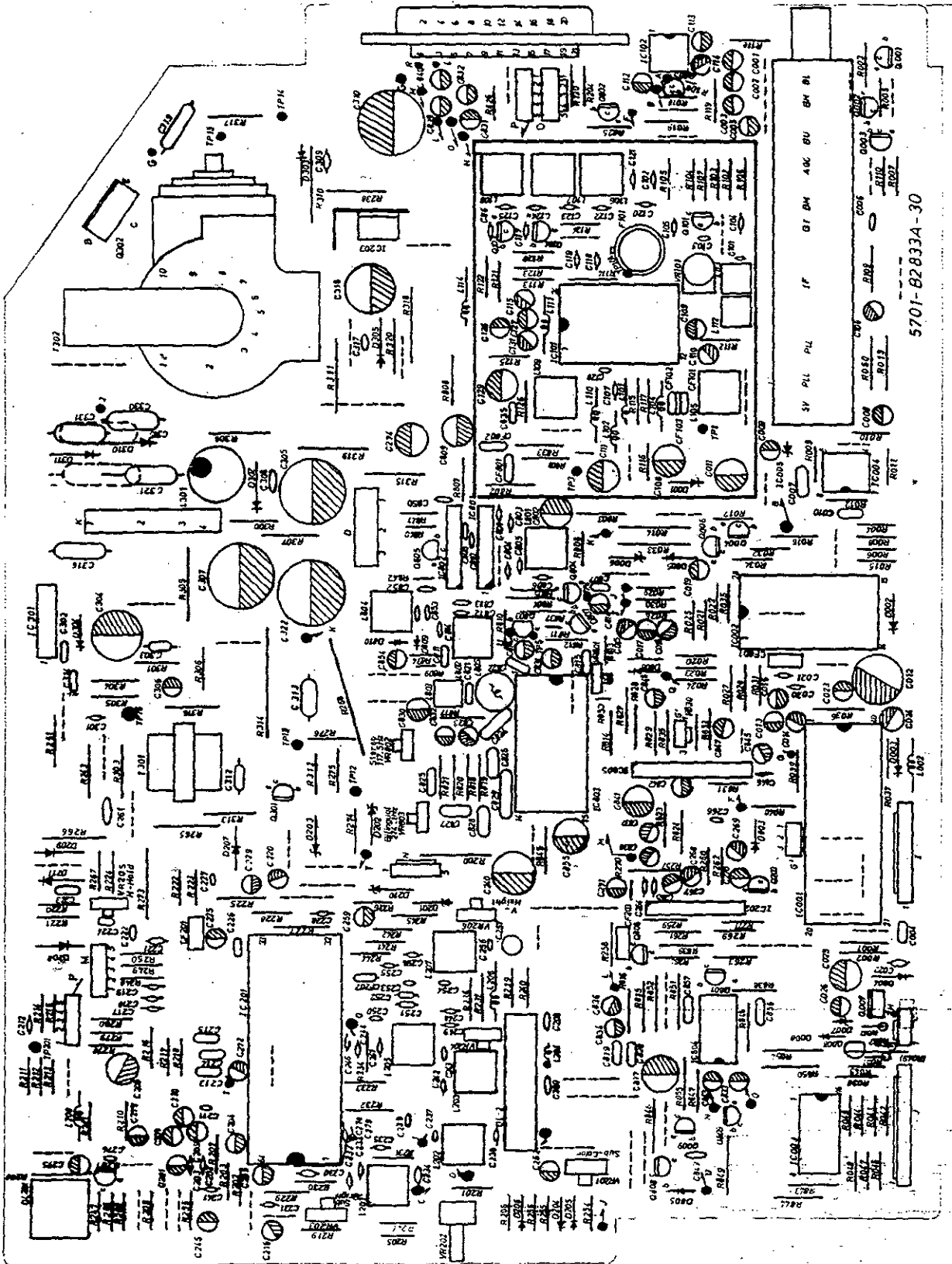
Fig. 24

BLOCK DIAGRAM (B)



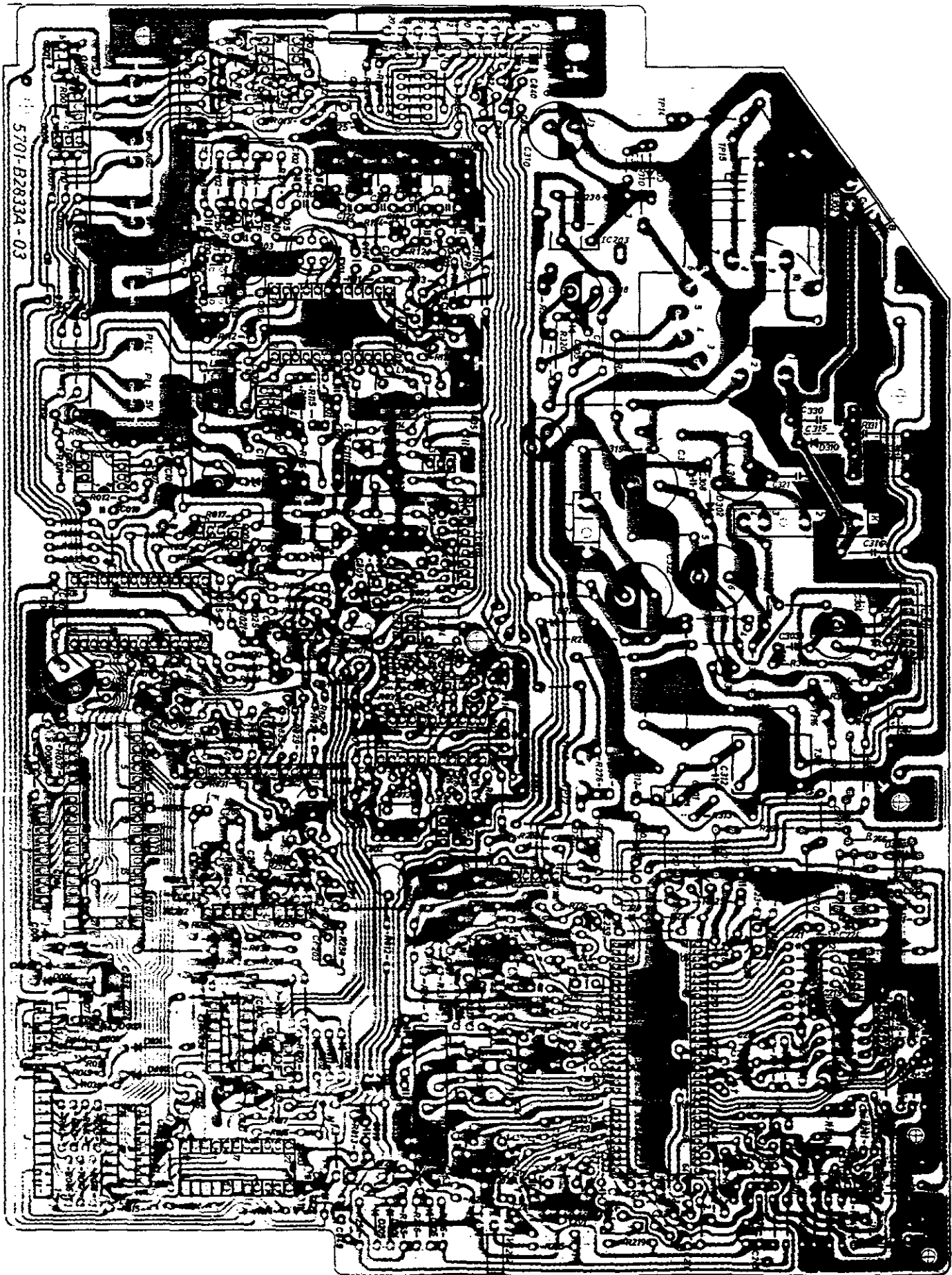
* FOR IC TDA 3803A UPC1391H

COMPONENT VIEW OF MAIN P.C. BOARD (B)

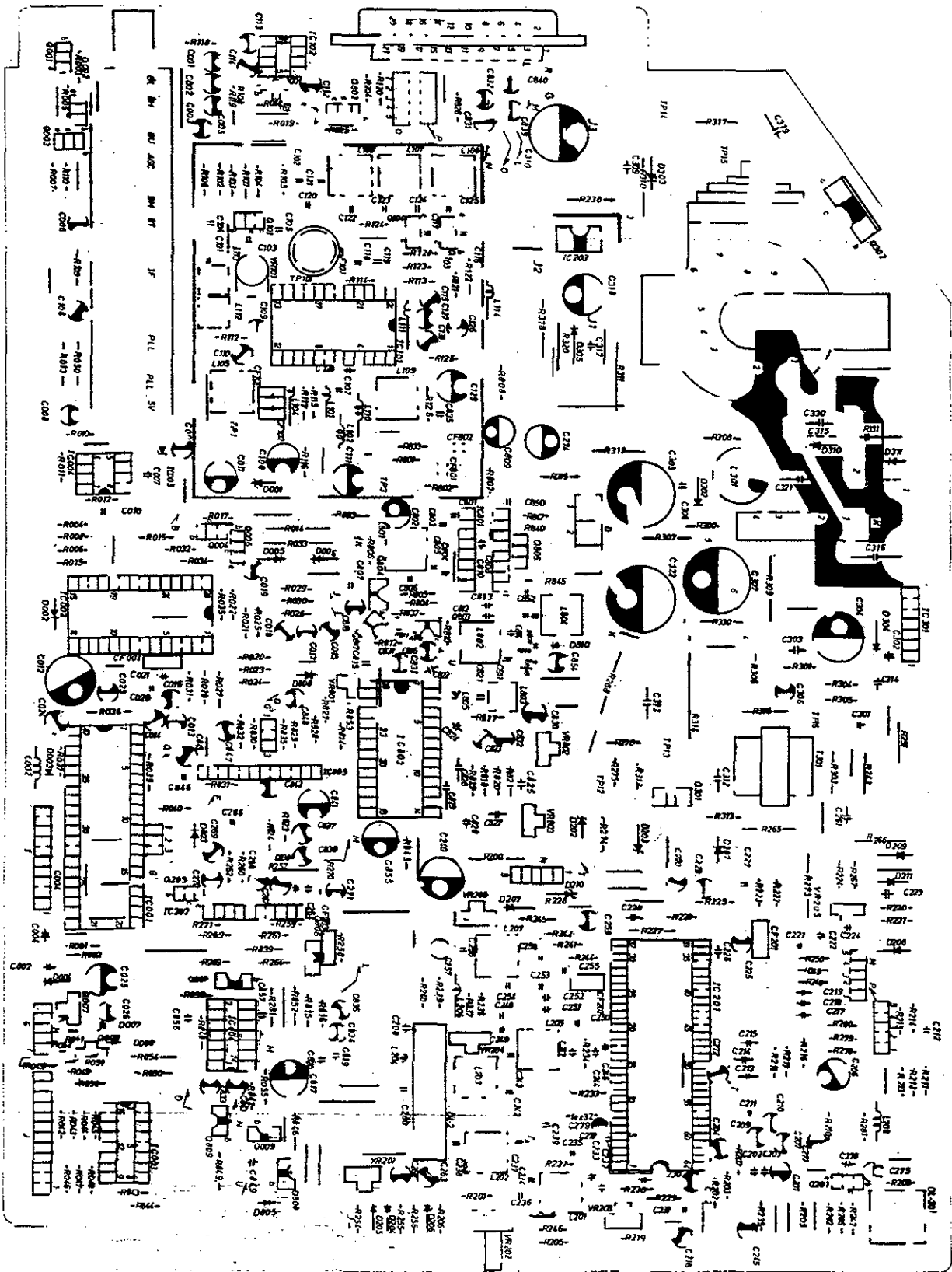


5701-82833A-30

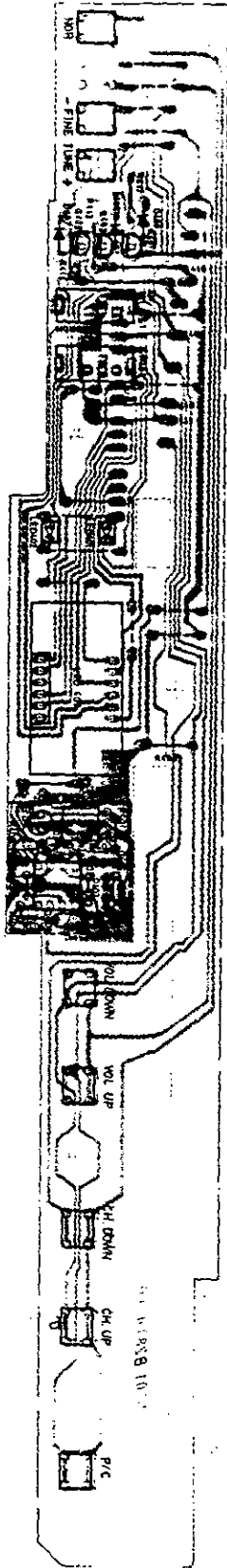
BOTTOM VIEW OF MAIN P.C. BOARD (A)



BOTTOM VIEW OF MAIN P.C. BOARD (B)

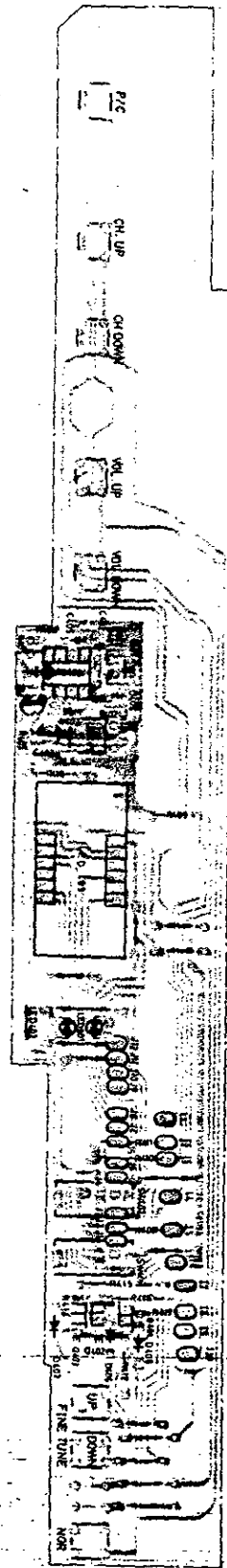


CONTROL/EARPHONE P.C. BOARD



COMPONENT VIEW

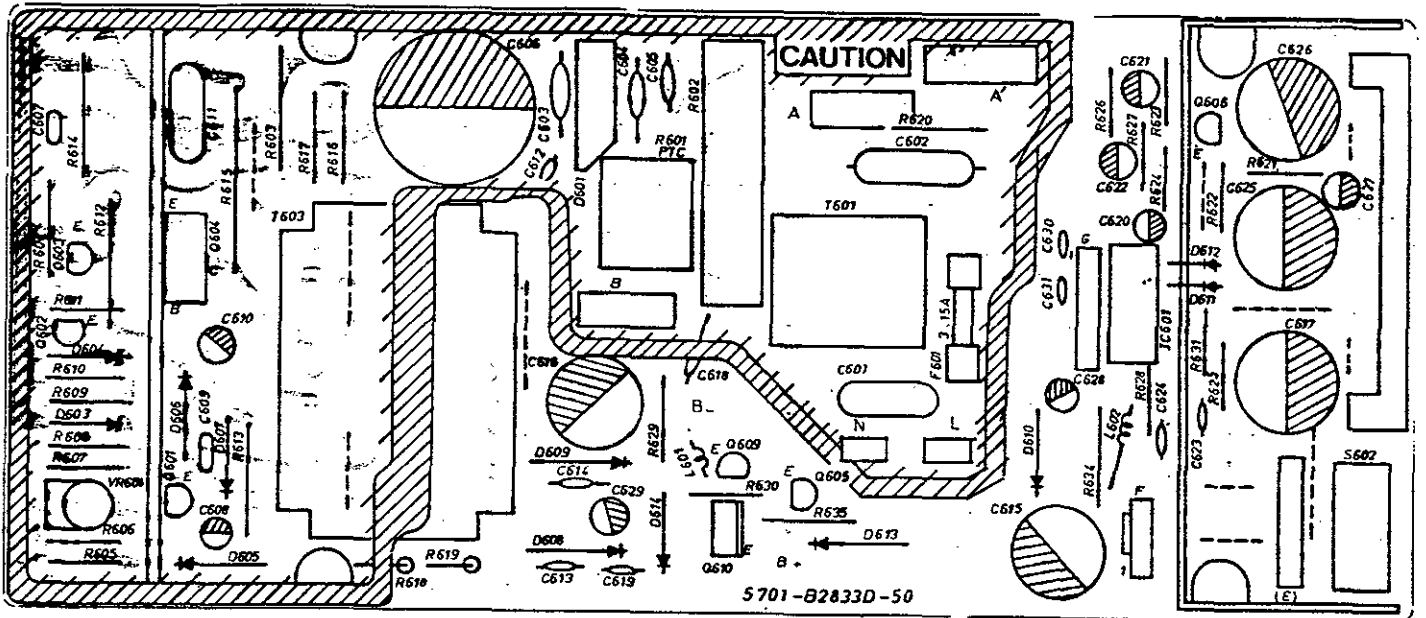
Fig. 27



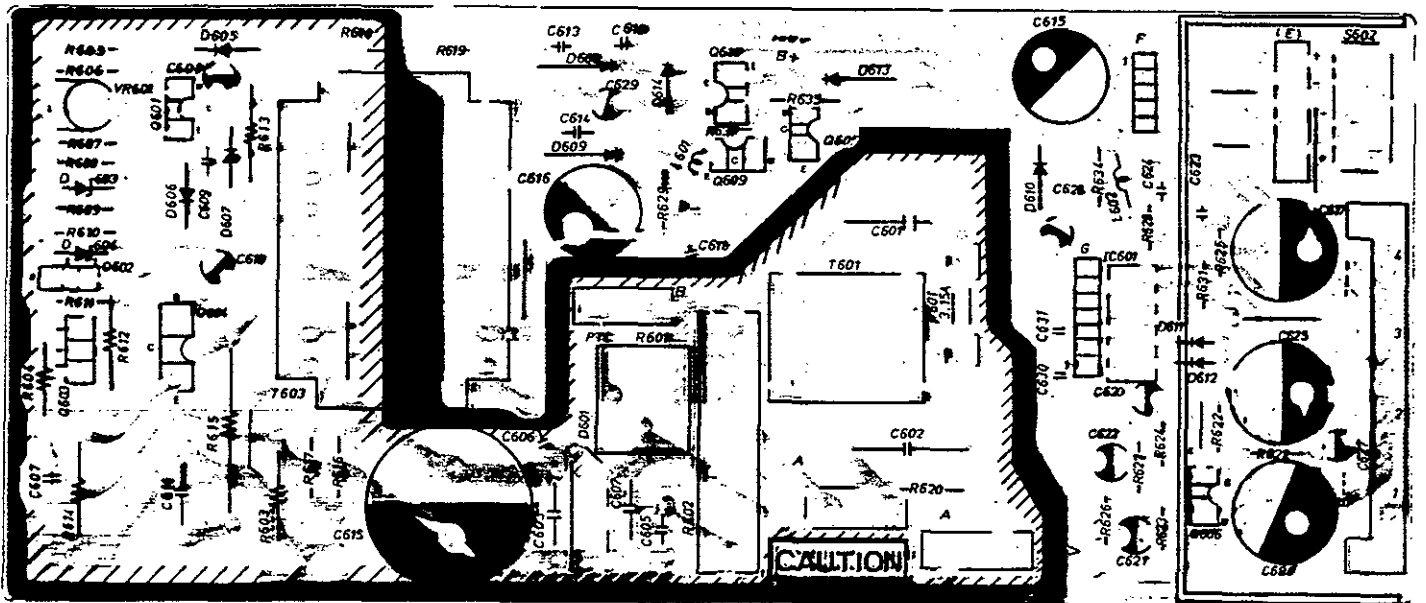
BOTTOM VIEW

Fig. 28

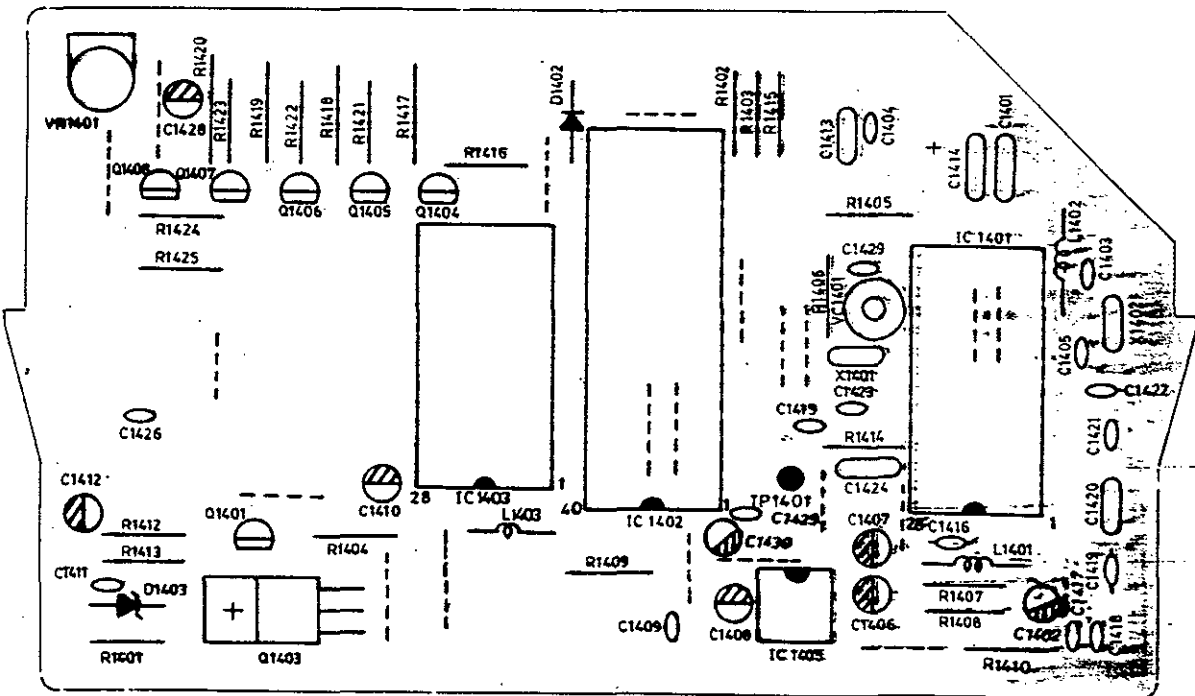
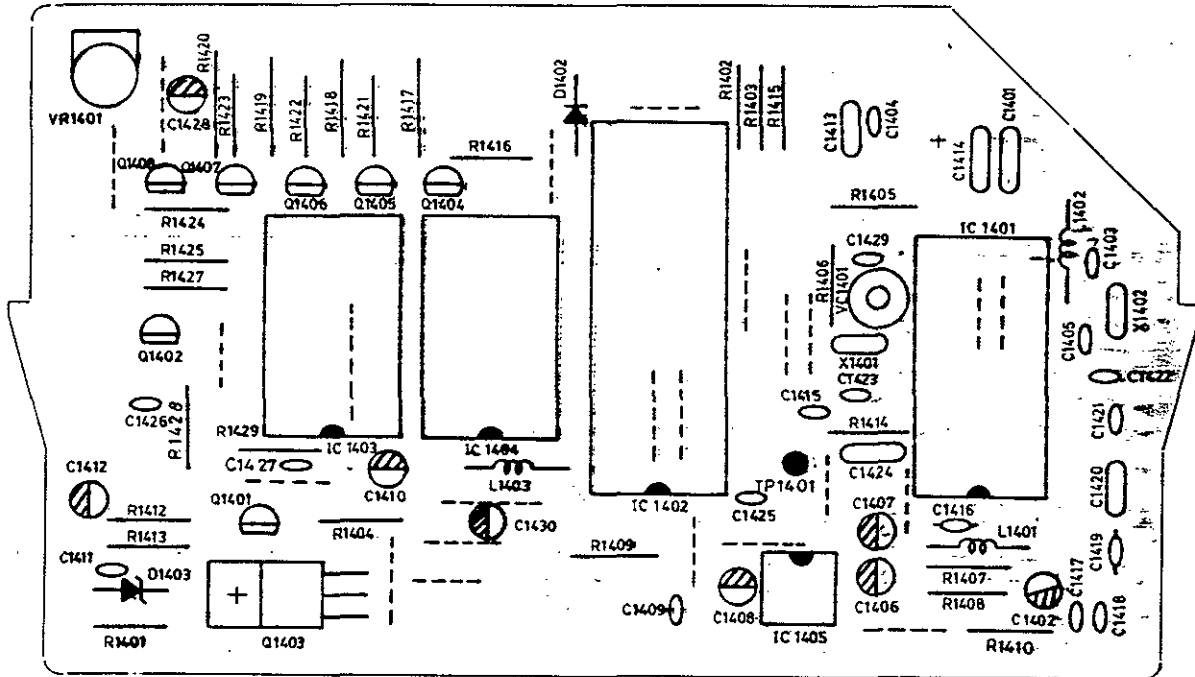
COMPONENT VIEW OF POWER SUPPLY P.C. BOARD



BOTTOM VIEW OF POWER SUPPLY P.C. BOARD



COMPONENT VIEW OF TELETXT P.C. BOARD



COMPONENT VIEW OF CRT P.C. BOARD

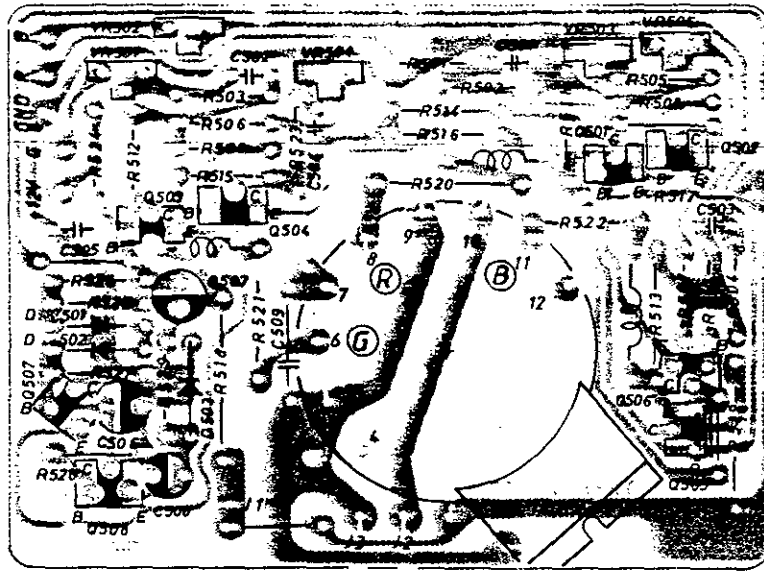


Fig. 33

BOTTOM VIEW OF CRT P.C. BOARD

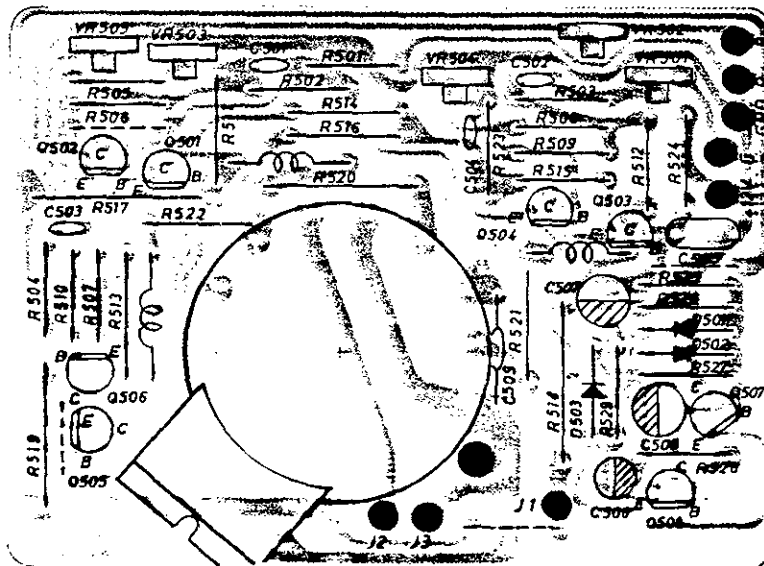


Fig. 34

COMPONENT VIEW OF AUDIO OUT P.C. BOARD

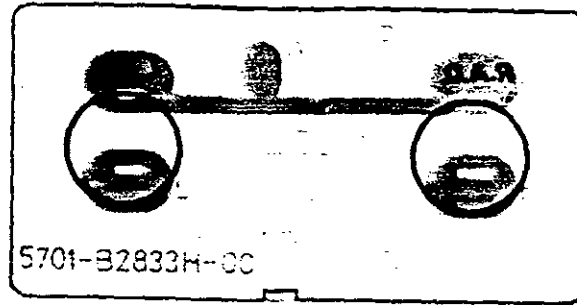


Fig. 35

COMPONENT VIEW OF HEAPHPHONE OUT P.C. BOARD

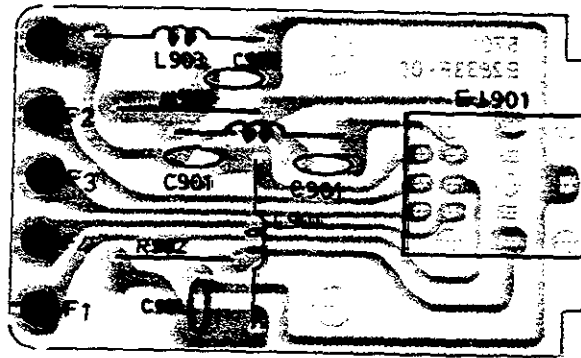


Fig. 36

COMPONENT VIEW OF HAND SET P.C. BOARD

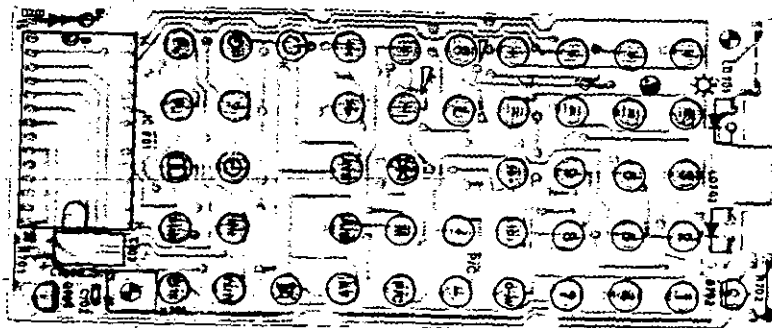
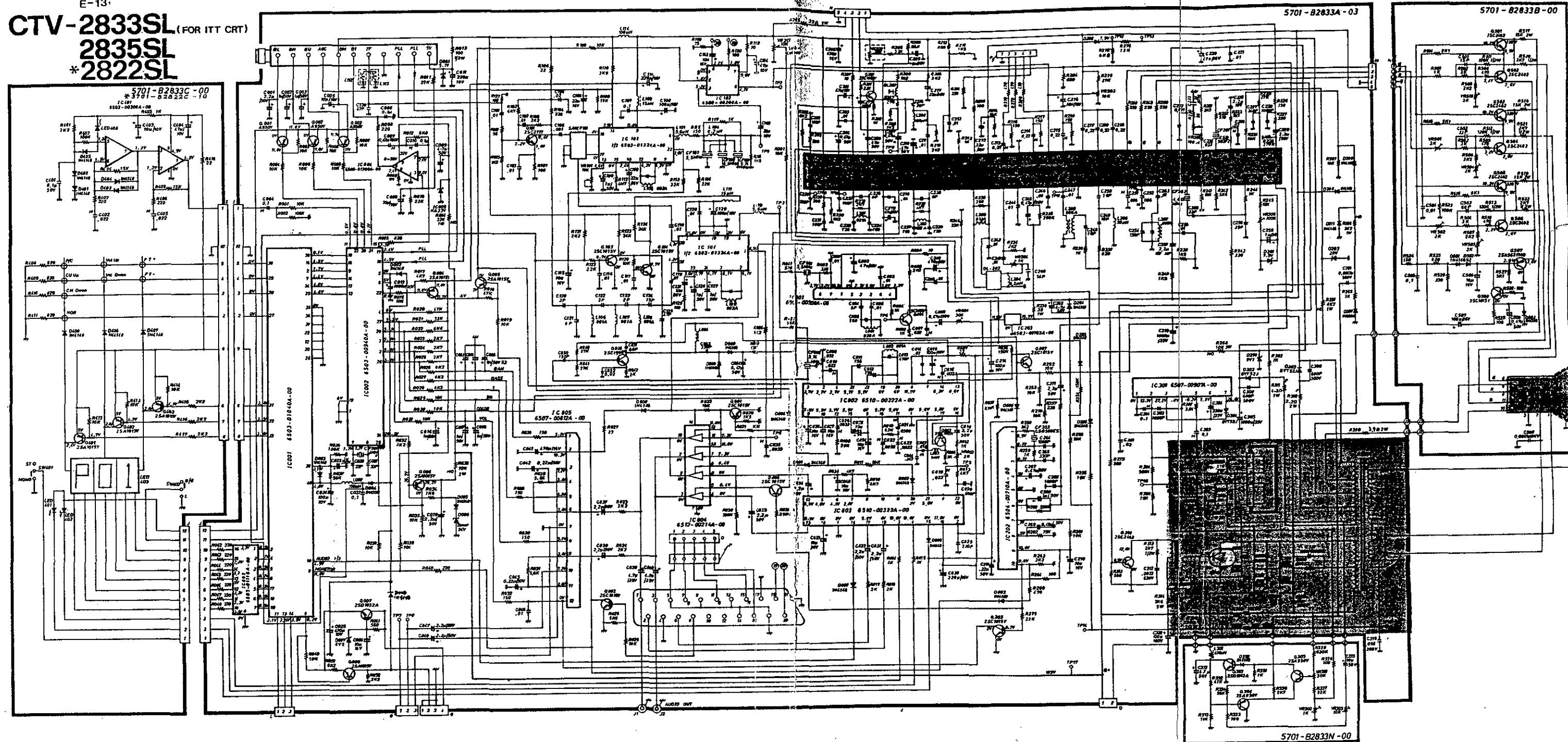


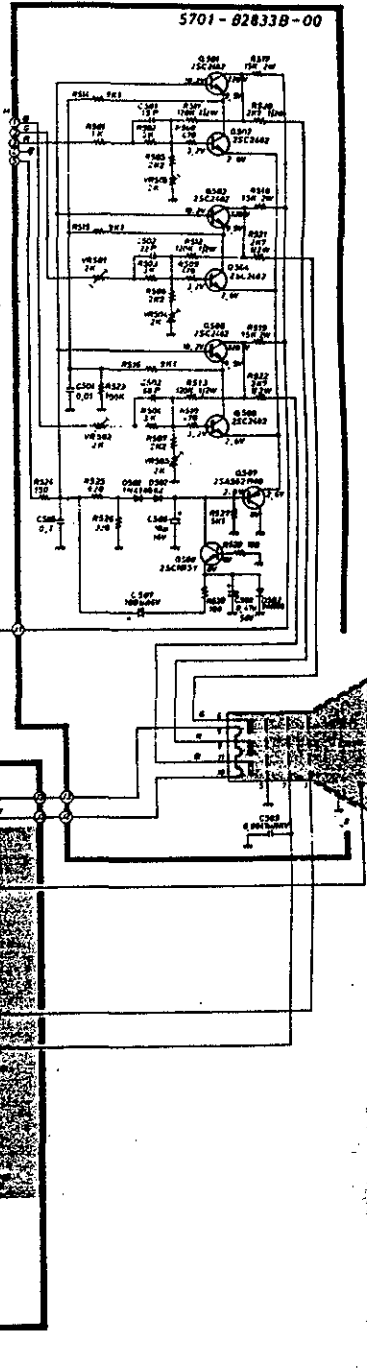
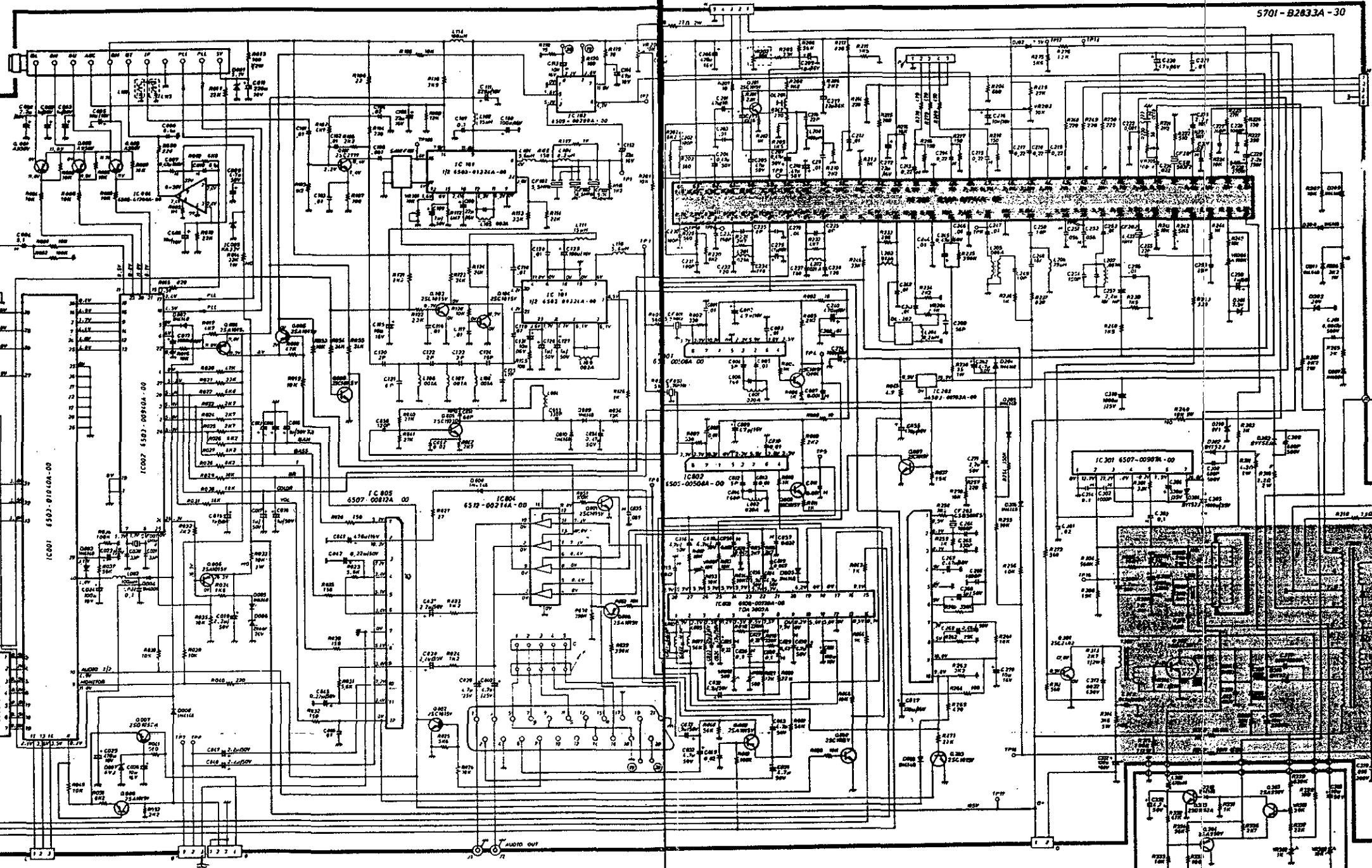
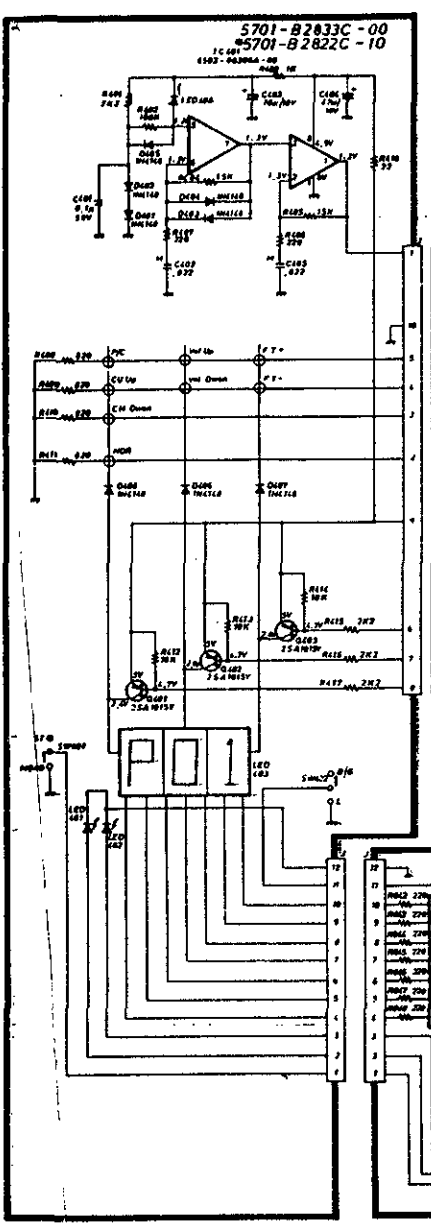
Fig. 37

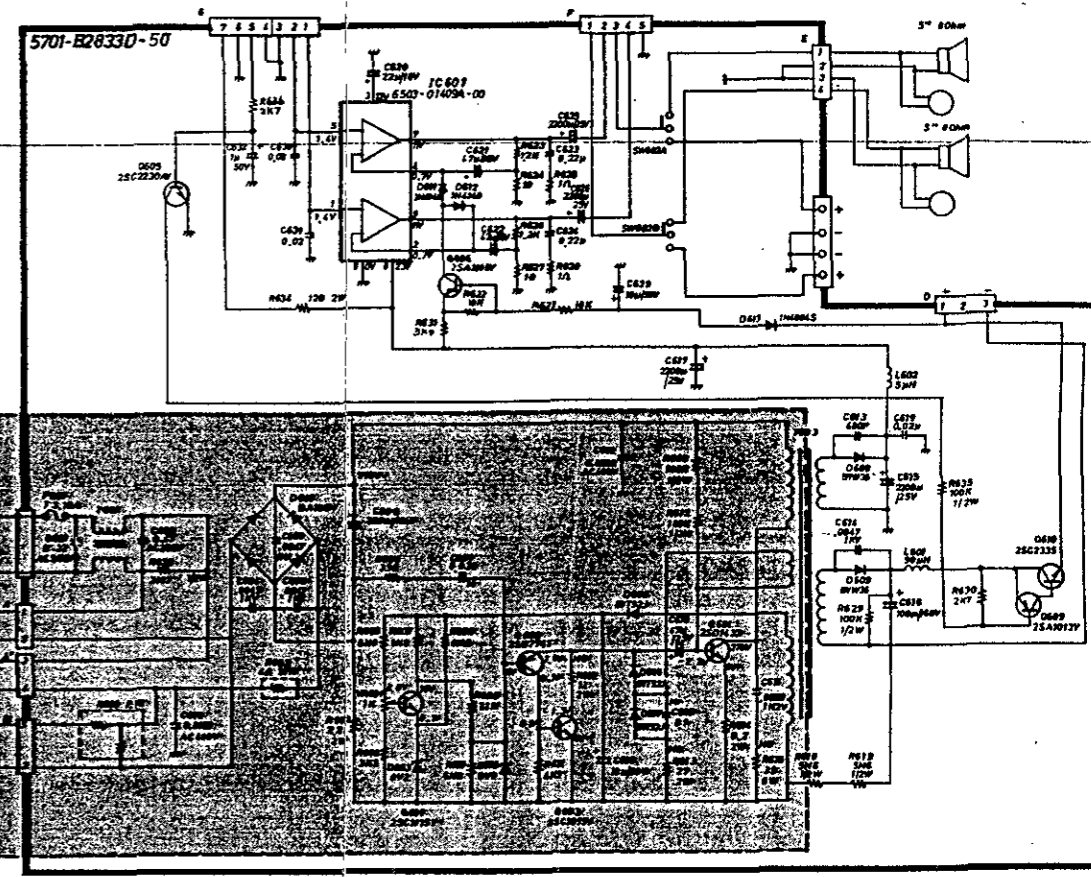
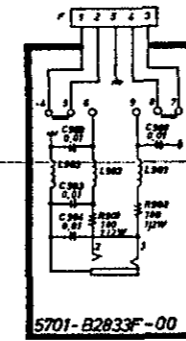
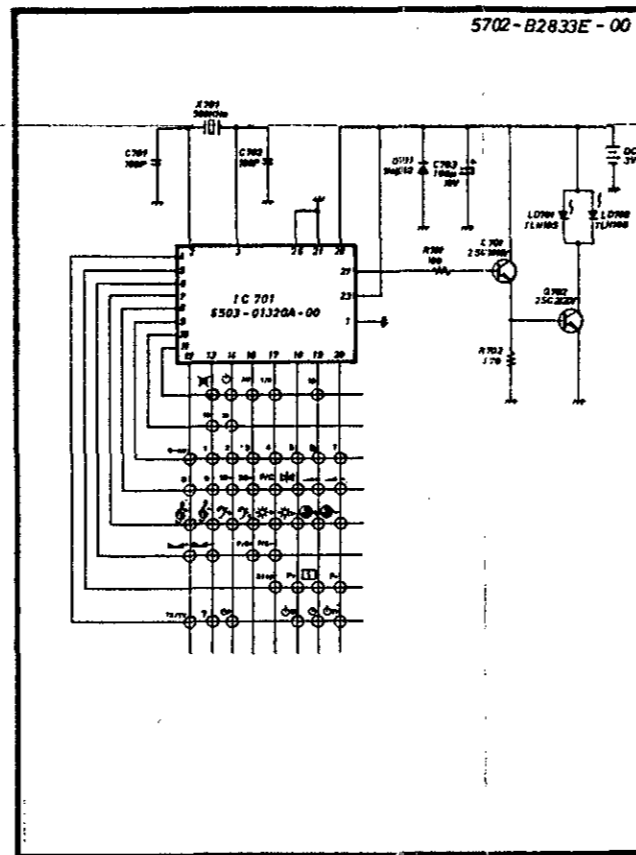
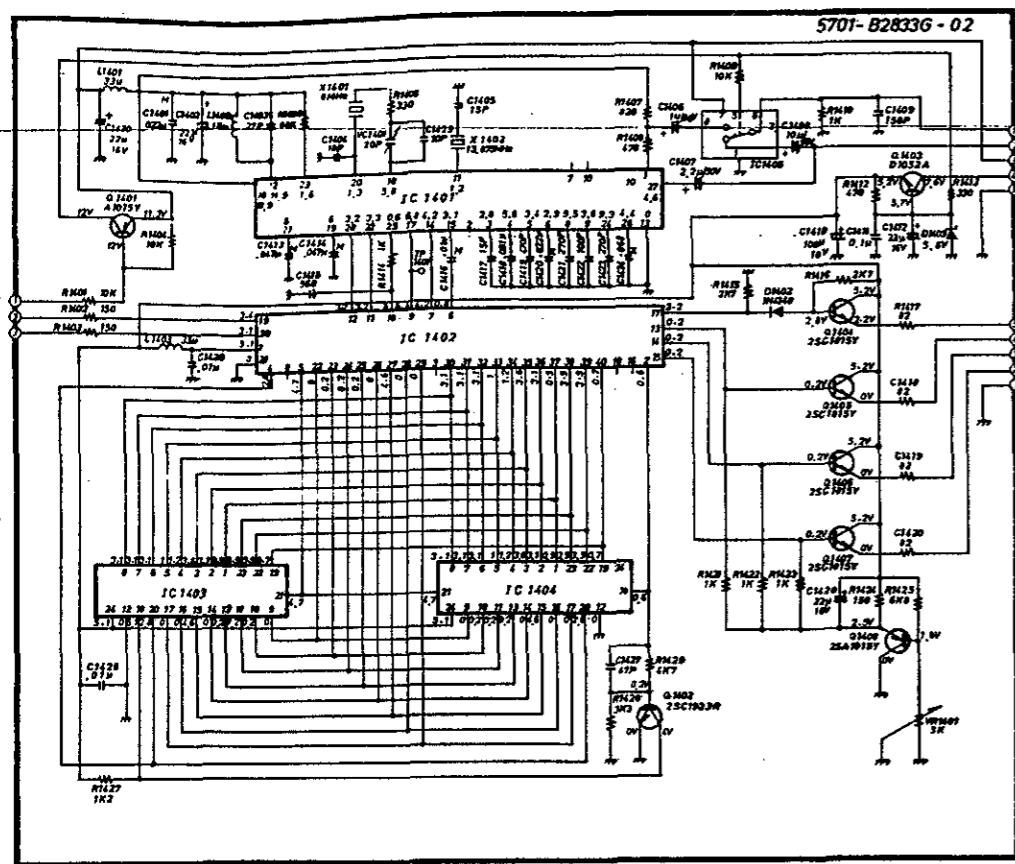
E-13
CTV-2833SL (FOR ITT CRT)
2835SL
***2822SL**



2835
CTV-2833 SL (ITT CRT)
2822

(IC TDA3803A)



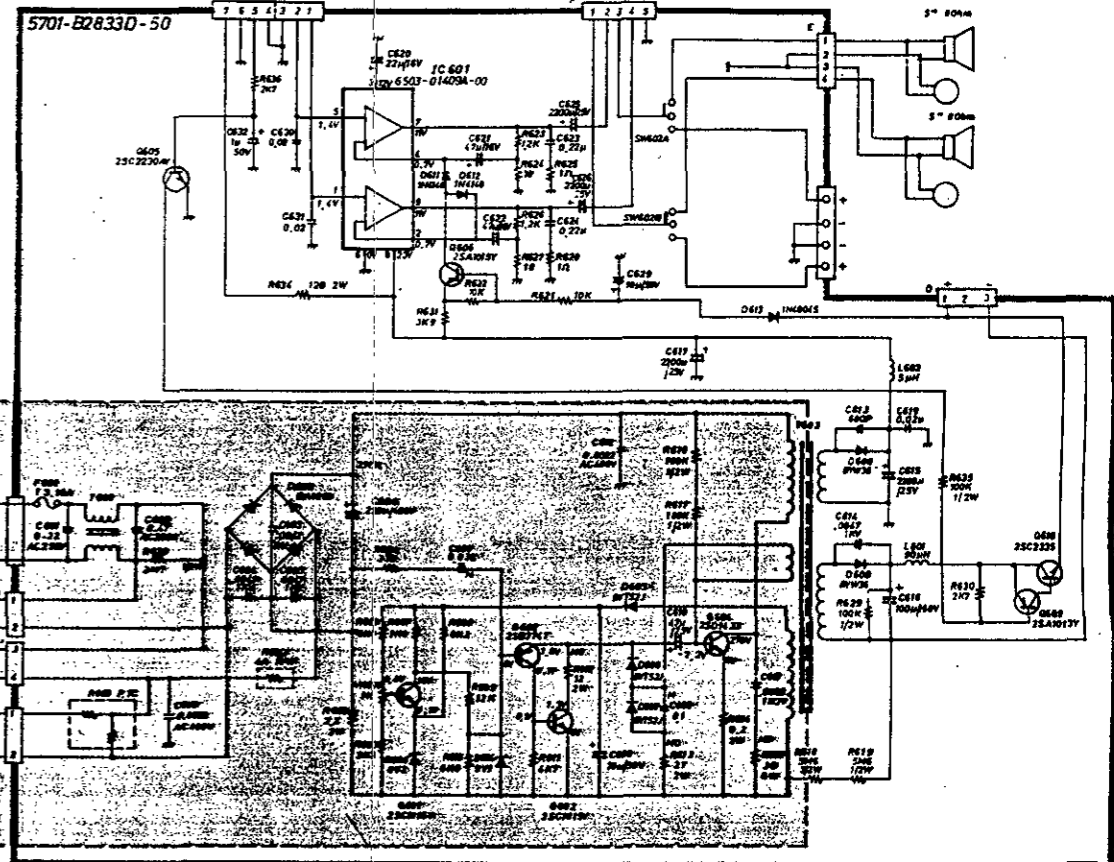
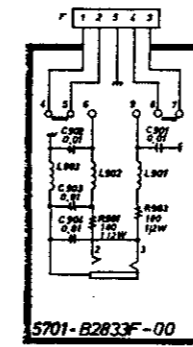
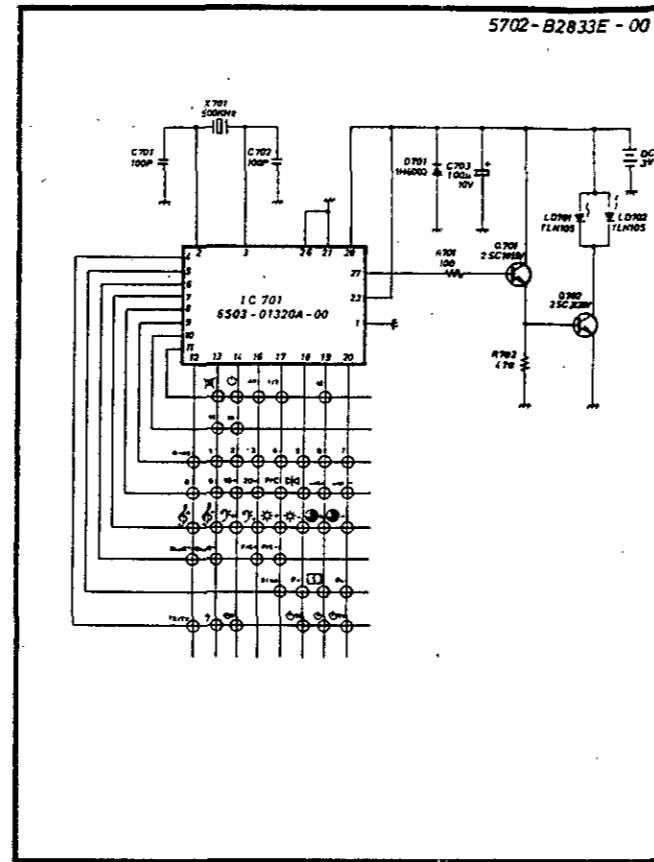
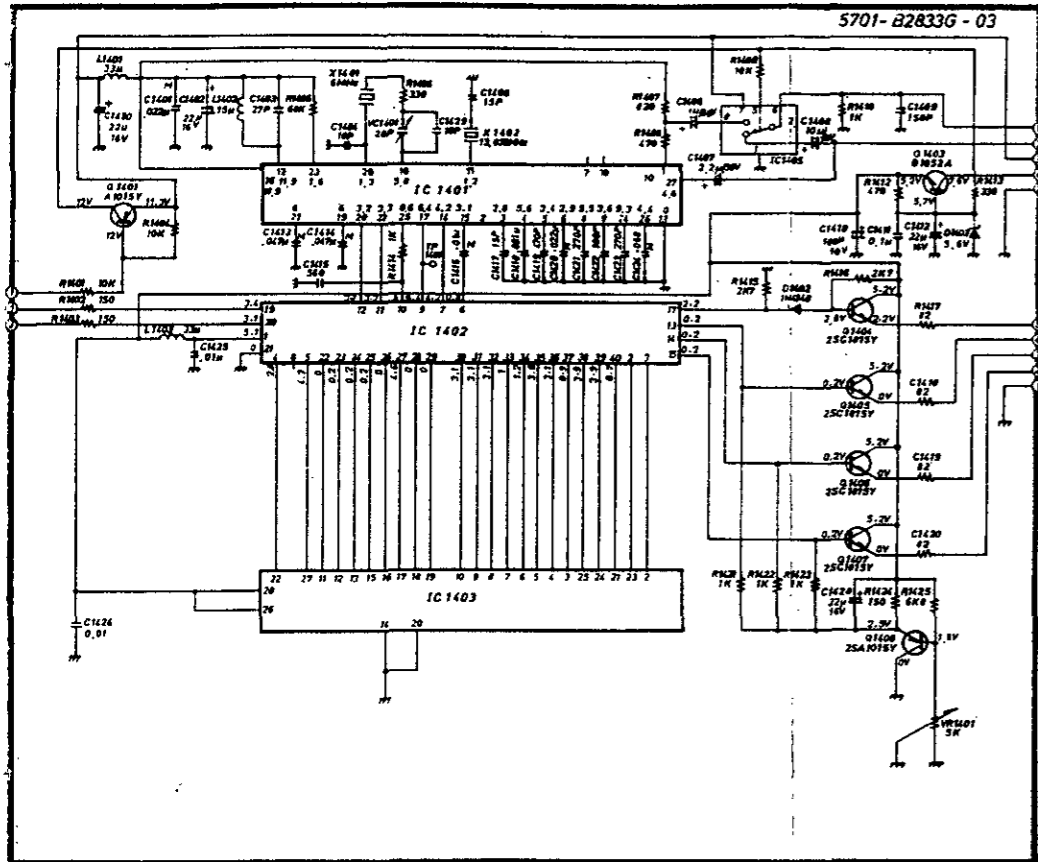


WARNING: Before servicing this chassis, read the X-RAY RADIATION PRECAUTION, SAFETY PRECAUTION and PRODUCT SAFETY NOTICE of this manual.

CAUTION: The shaded areas in the schematic diagrams indicate the locations of components which have special handling instructions. These components are not to be replaced with types identical to those shown in the original circuit or specified in the parts list. Do not substitute any of these components from other sources. **PRODUCE SAFETY NOTICE:** This manual is for the use of service personnel only. Do not use it for any other purpose.

SERVICE PRECAUTION: The area enclosed by this line (---) is directly connected with AC Main Voltage. When servicing this area, connect isolating transformer between TV receive and AC line to eliminate hazard of electric shock.

CTV-2833 2835 SL (FOR ITT CRT)



WARNING: Before servicing this chassis, read the X-RAY RADIATION PRECAUTION, SAFETY PRECAUTION and PRODUCT SAFETY NOTICE of this manual.

CAUTION: The shaded areas in the schematic diagram and the parts list designate components which have special characteristics important for safety and should be replaced only with types identical to those in the original circuit or specified in the parts list. Before replacing any of these components, read carefully the PRODUCT SAFETY NOTICE of the manual. Do not degrade the safety of the receiver through improper servicing.

SERVICE PRECAUTION: The area enclosed by this line (---) is directly connected with AC Main Voltage. When servicing this area, connect isolating transformer between TV receive and AC line to eliminate hazard of electric shock.

TUNER CIRCUIT

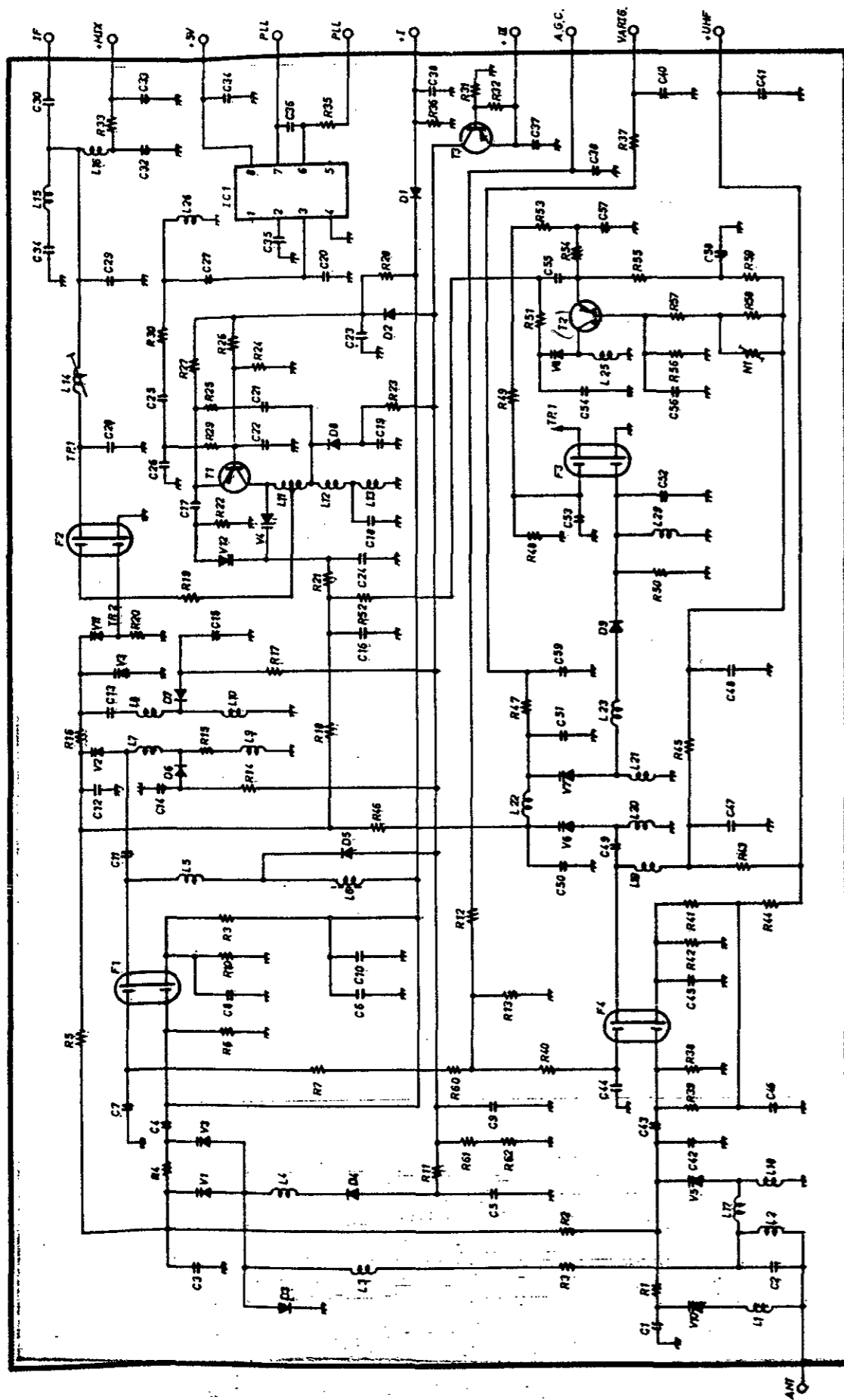


Fig. 40

WARNING: BEFORE SERVICING THIS CHASSIS, READ THE "X-RAY RADIATION PRECAUTION", "SAFETY PRECAUTION" AND "PRODUCT SAFETY NOTICE" ON PAGE 2 OF THIS MANUAL.

CAUTION: The shaded areas in the schematic diagram and the parts list designate components which have special characteristics important for safety and should be replaced only with types identical to those in the original circuit or specified in the parts list. Before replacing any of these components read carefully the PRODUCT SAFETY NOTICE on page 2. Do not degrade the safety of the receiver through improper servicing.

ABBREVIATIONS

RESISTORS:

- CF - Carbon Film Resistor
- CC - Carbon Composition Resistor
- MF - Metal Film Resistor
- MO - Metal Oxide Resistor
- FU - Fusible Resistor
- NI - Non-Inflammable Resistor
- SF - Semi-fixed Resistor

CAPACITORS:

- CE - Ceramic Capacitor
- PO - Polyester Film Capacitor
- PP - Polypropylene Film Capacitor
- EL - Electrolytic Capacitor
- TC - Temperature Compensating Capacitor
- MP - Metal Polyester Film Capacitor
- AC - AC Capacitor

Wire:

- SI - Single Jumper Wire AWG 22 (UL1007)
- STJ - Strand Jumper Wire AWG 22 (UL1007)
- ST - Strand Jumper Wire AWG 24 (UL1007)

Remark:

- 1) All resistors are 1/4W, ±5% unless otherwise noted.
- 2) All capacitors are 50 WV capacitor unless otherwise noted.

ELECTRICAL PARTS LIST

SYMBOL NO.	PARTS NO.	DESCRIPTION
Semiconductors		
Q001	5101-A00704-00	2SA950Y
Q002	5101-A00704-00	2SA950Y
Q003	5101-A00404-00	2SA950Y
Q004	5101-A00404-00	2SA1015Y
Q005	5101-A00404-00	2SA1015Y
Q006	5101-A00404-00	2SA1015Y
Q007	5101-D00503-00	2SD1052A
Q008	5101-A00404-00	2SA1015Y
Q101	5101-C00304-00	2SC2717
Q102		
Q103	5101-C00205-00	2SC1815Y
Q104	5101-C00205-00	2SC1815Y
Q201	5101-C00205-00	2SC1815Y
Q202		
Q203	5101-C00205-00	2SC1815Y
Q301	5101-C00703-00	2SC2482
Q302	5101-D00901-00	2SD1433
Q303	5101-D00503-00	2SD1052A
Q304	5101-A00704-00	2SA950Y
Q305	5101-A00704-00	2SA950Y
Q401	5101-A00404-00	2SA1015Y
Q402	5101-A00404-00	2SA1015Y
Q403	5101-A00404-00	2SA1015Y
Q501	5101-C00703-00	2SC2482
Q502	5101-C00703-00	2SC2482
Q503	5101-C00703-00	2SC2482
Q504	5101-C00703-00	2SC2482
Q505	5101-C00703-00	2SC2482
Q506	5101-C00703-00	2SC2482
Q507	5101-A00103-00	2SA562-TMO

SYMBOL NO.	PARTS NO.	DESCRIPTION
Semiconductor		
Q508	5101-C00205-00	2SC1815Y
Q601	5101-C00205-00	2SC1815Y
Q602	5104-B00103-00	2SB774T
Q603	5101-C00205-00	2SC1815Y
Q604	5101-D00901-00	2SD1433
Q605	5101-C00804-00	2SC2230-AY
Q606	5101-A00404-00	2SA1015Y
Q701	5101-C00205-00	2SC1815Y
Q702	5101-C00904-00	2SC2120Y
Q801	5101-C00205-00	2SC1815Y
Q802	5101-C00205-00	2SC1815Y
Q803	5101-C00205-00	2SC1815Y
Q804	5101-C00205-00	2SC1815Y
Q805	5101-C00104-00	2SC19230
Q806	5101-A00404-00	2SA1015Y
Q1401	5101-A00404-00	2SA1015Y
Q1403	5101-D00503-00	2SD1052A
Q1404	5101-C00205-00	2SC1815Y
Q1405	5101-C00205-00	2SC1815Y
Q1406	5101-C00205-00	2SC1815Y
Q1407	5101-C00205-00	2SC1815Y
Q1408	5101-A00404-00	2SA1015Y
Q807	5101-C00205-00	2SC1815Y
Q610	5102-C00101-00	2SC2335
Q609	5101-A00504-00	2SA1013Y

*FOR IC TDA4940: 4941

ELECTRICAL PARTS LIST (B)

SYMBOL NO.	PARTS NO.	DESCRIPTION	SYMBOL NO.	PARTS NO.	DESCRIPTION
Semiconductors			Semoconductor		
D001	5203-04001A-00	5.1V Zener	D805	5201-05001A-00	IN4148
D002	5201-05001A-00	IN4148	D806	5201-05001A-00	IN4148
D003	5201-05001A-00	IN4148	D807	5201-05001A-00	IN4148
D004	5201-01003A-00	IN4001	D808	5201-05001A-00	IN4148
D005	5201-05001A-00	IN4148	D809	5201-05001A-00	IN4148
D006	5201-04015A-00	24V Zener	D810	5201-05001A-00	IN4148
D007	5203-04002A-00	6.2V Zener	D1402	5201-05001A-00	IN4148
D008	5201-02009A-00	LN4004	D1403	5203-04012A-00	5.6V Zener (GZA 5.6Y)
D201	5201-04003A-00	7.5V Zener	IC001	6503-01040A-00	M3872MB1
D202	5201-04003A-00	7.5V Zener	IC002	6503-00940A-00	M206
D203	5201-04014A-00	20V Zener	IC003	6503-01116A-00	ULN2001A
D204	5201-05001A-00	IN4148	IC004	6503-01208A-00	LS776
D205	5201-05001A-00	IN4148	IC005	6511-00302A-00	KA33V
D206	5201-05001A-00	IN4148	IC101	6503-01324A-00	TDA8120
D207	5201-02009A-00	IN4004	IC102	6509-00208A-00	TEA2014
D208	5201-05001A-00	IN4148	IC201	6501-01764A-00	TA8659N
D209	5201-05001A-00	IN4148	IC202	6506-00710A-00	LA7210
D210	5203-04009A-00	9.1V Zener	IC203	6503-00703A-00	L7812
D211	5201-05001A-00	IN4148	IC301	6507-00907A-00	AN5521
D302	5201-02004A-00	IS1835	IC401	6503-00308A-00	TDA2320A
D303	5201-02004A-00	IS1835	IC601	6503-01409A-00	TDA2007
D304	5201-02004A-00	IS1835	IC701	6503-01320A-00	M710L
D305	5201-02004A-00	IS1835	IC801	6505-00508A-00	UPC139IH
D310	5211-02011A-00	BY228-15	IC802	6510-00222A-00	TDA4940
D311	5212-02012A-00	BY229	IC803	6510-00322A-00	TDA4941
D312	5201-05001A-00	IN4148	IC804	6512-00214A-00	CD4066B
D401	5201-05001A-00	IN4148	IC805	6507-00812A-00	AN5836
D402	5201-05001A-00	IN4148	IC1401	6508-00528A-00	SAA5231
D203	5201-05001A-00	IN4148	IC1402	6508-00640A-00	SAA5243 P/E
D404	5201-05001A-00	IN4148	IC1403	6514-00116A-00	V62C 16P 12L
D405	5201-05001A-00	IN4148	IC1404	6515-00116A-00	V62C 16P 12L
D406	5201-05001A-00	IN4148	IC1405	6509-00208A-00	TEA2014
D407	5201-05001A-00	IN4148	LD401	6601-A00100-00	LED RED
D408	5201-05001A-00	IN4148	LD402	6601-A00100-00	LED RED
D501	5201-05001A-00	IN4148	LD403	6603-H00200-00	LED COM- 564H
D502	5201-05001A-00	IN4148	LD404	6601-F00100-00	Photo Diode
D503	5201-05001A-00	IN4148	LD405		TPS703
D601	5203-01002A-00	DBA10G	LD701	6601-E00100-00	Infrared LED
D602	5203-01002A-00	DBA10G			TLN 105
D603	5203-04008A-00	8.2V Zener (GZA 8.2Y)	LD702	6601-E00100-00	Infrared LED
D604	5203-04009A-00	9.1V Zener (GZA 9.1Y)			TLN 105
D605	5201-02009A-00	BYT52J	Variable Resistors		
D606	5201-02009A-00	BYT52J	VR101	5301-10402B-00	10KB H(M) AGC
D607	5201-02009A-00	BYT52J	VR201	5302-10405A-00	10KB V
D608	5201-02010A-00	BYW36	VR202	5308-10402A-00	Rotary V.R. 10KΩ B
D609	5201-02010A-00	BYW36	VR203	5302-10405A-00	10KB V
D611	5201-05001A-00	IN4148	VR204	5301-10302A-00	1KB H Color Matriz
D612	5201-05001A-00	IN4148	VR205	5301-10202A-00	100 ohm V(M)
D613	5201-01001A-00	IN4004S	VR206	5302-10505A-00	100KB
D701	5201-01002A-00	IN4002	VR301	5301-30402A-00	30KB
D801	5201-05001A-00	IN4148	VR302	5301-10302A-00	1KB
D802	5201-05001A-00	IN4148	VR303	5301-10402A-00	10KB
D803	5201-05001A-00	IN4148			
D804	5201-05001A-00	IN4148			

ELECTRICAL PARTS LIST (B)

SYMBOL NO.	PARTS NO.	DESCRIPTION	SYMBOL NO.	PARTS NO.	DESCRIPTION
Variable Resistors			Resistors		
VR501	5301-20302A-00	2KB	R041	5400-561ADC-00	CF 560Ω ¼W ±5%
VR502	5301-20302A-00	2KB	R042	5400-221ADC-00	CF 220Ω ¼W ±5%
VR503	5301-20302A-00	2KB	R043	5400-221ADC-00	CF 220Ω ¼W ±5%
VR504	5301-20302A-00	2KB	R044	5400-221ADC-00	CF 220Ω ¼W ±5%
VR505	5301-20302A-00	2KB	R045	5400-221ADC-00	CF 220Ω ¼W ±5%
VR601	5301-10302B-00	1KB	R046	5400-221ADC-00	CF 220Ω ¼W ±5%
VR801	5301-30402B-00	30KB H	R047	5400-221ADC-00	CF 220Ω ¼W ±5%
VR802	5301-30302B-00	3KB H	R048	5400-221ADC-00	CF 220Ω ¼W ±5%
VR1401	5301-50302B-00	5KB	R049	5400-153ADC-00	CF 15KΩ ¼W ±5%
Resistors			R050	5400-221ADC-00	CF 220Ω ¼W ±5%
R001	5400-103ADC-00	CF 10KΩ ¼W ±5%	R051	5400-822ADC-00	CF 8.2KΩ ¼W ±5%
R002	5400-104ADC-00	CF 100KΩ ¼W ±5%	R052	5400-222ADC-00	CF 2.2KΩ ¼W ±5%
R003	5400-103ADC-00	CF 10KΩ ¼W ±5%	R101	5400-560ADC-00	CF 56Ω ¼W ±5%
R004	5400-103ADC-00	CF 10KΩ ¼W ±5%	R102	5400-472ADC-00	CF 4.7KΩ ¼W ±5%
R005	5400-103ADC-00	CF 10KΩ ¼W ±5%	R103	5400-122ADC-00	CF 1.2KΩ ¼W ±5%
R006	5400-103ADC-00	CF 10KΩ ¼W ±5%	R104	5400-221ADC-00	CF 220KΩ ¼W ±5%
R007	5400-103ADC-00	CF 10KΩ ¼W ±5%	R105	5400-222ADC-00	CF 2.2KΩ ¼W ±5%
R008	5400-103ADC-00	CF 10KΩ ¼W ±5%	R106	5400-220ADC-00	CF 22Ω ¼W ±5%
R009	5400-105ADC-00	CF 1MΩ ¼W ±5%	R107	5400-101ADC-00	CF 100Ω ¼W ±5%
R010	5400-223ADC-00	CF 22KΩ ¼W ±5%	R108	5400-103ADC-00	CF 10Ω ¼W ±5%
R011	5400-223ADC-00	CF 22KΩ ¼W ±5%	R109	5400-123ADC-00	CF 12KΩ ¼W ±5%
R012	5400-682ADC-00	CF 6.8KΩ ¼W ±5%	R110	5400-392ADC-00	CF 3.9KΩ ¼W ±5%
R013	5400-101AFC-00	CF 100Ω ½W ±5%	R111	5400-475ADC-00	CF 4.7MΩ ¼W ±5%
R014	5404-223DGC-00	MO 22KΩ 1W ±5%	R112		
R015	5400-821ADC-00	CF 820Ω ¼W ±5%	R113	5400-333ADC-00	CF 33KΩ ¼W ±5%
R016	5400-103ADC-00	CF 10KΩ ¼W ±5%	R114	5400-223ADC-00	CF 22KΩ ¼W ±5%
R017	5400-472ADC-00	CF 4.7KΩ ¼W ±5%	R115	5400-151ADC-00	CF 150Ω ¼W ±5%
R018	5400-473ADC-00	CF 47KΩ ¼W ±5%	R116	5400-122ADC-00	CF 1.2KΩ ¼W ±5%
R019	5400-103ADC-00	CF 10KΩ ¼W ±5%	R117	5400-102ADC-00	CF 1KΩ ¼W ±5%
R020	5400-473ADC-00	CF 47KΩ ¼W ±5%	R118	5400-750ADC-00	CF 75Ω ¼W ±5%
R021	5400-333ADC-00	CF 33KΩ ¼W ±5%	R119	5400-100ADC-00	CF 10Ω ¼W ±5%
R022	5400-682ADC-00	CF 6.8KΩ ¼W ±5%	R120	5400-101ADC-00	CF 100Ω ¼W ±5%
R023	5400-272ADC-00	CF 2.7KΩ ¼W ±5%	R121	5400-222ADC-00	CF 2.2KΩ ¼W ±5%
R024	5400-272ADC-00	CF 2.7KΩ ¼W ±5%	R122	5400-223ADC-00	CF 22Ω ¼W ±5%
R025	5400-272ADC-00	CF 2.7KΩ ¼W ±5%	R123	5400-243ADC-00	CF 24KΩ ¼W ±5%
R026	5400-822ADC-00	CF 8.2KΩ ¼W ±5%	R124	5400-243ADC-00	CF 24KΩ ¼W ±5%
R027	5400-822ADC-00	CF 8.2KΩ ¼W ±5%	R125	5400-101ADC-00	CF 100Ω ¼W ±5%
R028	5400-822ADC-00	CF 8.2KΩ ¼W ±5%	R126	5400-122ADC-00	CF 1.2KΩ ¼W ±5%
R029	5400-822ADC-00	CF 8.2KΩ ¼W ±5%	R127	5400-101ADC-00	CF 100Ω ¼W ±5%
R030	5400-183ADC-00	CF 18KΩ ¼W ±5%	R128	5400-103ADC-00	CF 10KΩ ¼W ±5%
R031	5400-183ADC-00	CF 18KΩ ¼W ±5%	R201	5400-103ADC-00	CF 10KΩ ¼W ±5%
R032	5400-222ADC-00	CF 2.2KΩ ¼W ±5%	R202	5400-822ADC-00	CF 8.2KΩ ¼W ±5%
R033	5400-103DHC-00	MO 10KΩ 2W ±5%	R203	5400-561ADC-00	CF 560Ω ¼W ±5%
R034	5400-182ADC-00	CF 1.8KΩ ¼W ±5%	R204	5400-681ADC-00	CF 680Ω ¼W ±5%
R035	5400-103ADC-00	CF 10KΩ ¼W ±5%	R205	5400-333ADC-00	CF 33KΩ ¼W ±5%
R036	5400-104ADC-00	CF 100KΩ ¼W ±5%	R206	5400-563ADC-00	CF 56KΩ ¼W ±5%
R037	5400-563ADC-00	CF 56KΩ ¼W ±5%	R207	5400-100ADC-00	CF 10Ω ¼W ±5%
R038	5400-103ADC-00	CF 10KΩ ¼W ±5%	R208	5400-182ADC-00	CF 1.8KΩ ¼W ±5%
R039	5400-103ADC-00	CF 10KΩ ¼W ±5%	R209	5400-152ADC-00	CF 1.5KΩ ¼W ±5%
R040	5400-221ADC-00	CF 220Ω ¼W ±5%	R210	5400-222ADC-00	CF 2.2KΩ ¼W ±5%

ELECTRICAL PARTS LIST (B)

SYMBOL NO.	PARTS NO.	DESCRIPTION
Resistors		
R211	5400-152ADC-00	CF 1.5K Ω $\frac{1}{4}$ W \pm 5%
R212	5400-821ADC-00	CF 820K Ω $\frac{1}{4}$ W \pm 5%
R213	5400-102ADC-00	CF 1K Ω $\frac{1}{4}$ W \pm 5%
R214	5400-221ADC-00	CF 220 Ω $\frac{1}{4}$ W \pm 5%
R215	5400-101ADC-00	CF 100 Ω $\frac{1}{4}$ W \pm 5%
R216	5400-151ADC-00	CF 150 Ω $\frac{1}{4}$ W \pm 5%
R217	5400-151ADC-00	CF 150 Ω $\frac{1}{4}$ W \pm 5%
R218	5400-151ADC-00	CF 150 Ω $\frac{1}{4}$ W \pm 5%
R219	5400-273ADC-00	CF 27K Ω $\frac{1}{4}$ W \pm 5%
R220	5400-560ADC-00	CF 56 Ω $\frac{1}{4}$ W \pm 5%
R221	5400-222ADC-00	CF 2.2K Ω $\frac{1}{4}$ W \pm 5%
R222	5400-511ADC-00	CF 510 Ω $\frac{1}{4}$ W \pm 5%
R223	5400-512ADC-00	CF 5.1K Ω $\frac{1}{4}$ W \pm 5%
R224	5400-103ADC-00	CF 10K Ω $\frac{1}{4}$ W \pm 5%
R225	5400-273ADC-00	CF 27K Ω $\frac{1}{4}$ W \pm 5%
R226	5400-151ADC-00	CF 150K Ω $\frac{1}{4}$ W \pm 5%
R227	5400-391ADC-00	CF 390 Ω $\frac{1}{4}$ W \pm 5%
R228	5400-274ADC-00	CF 270K Ω $\frac{1}{4}$ W \pm 5%
R229	5400-561ADC-00	CF 560 Ω $\frac{1}{4}$ W \pm 5%
R230	5400-822ADC-00	CF 8.2K Ω $\frac{1}{4}$ W \pm 5%
R231	5400-272ADC-00	CF 2.7K Ω $\frac{1}{4}$ W \pm 5%
R232	5400-472ADC-00	CF 4.7K Ω $\frac{1}{4}$ W \pm 5%
R233	5400-391ADC-00	CF 390 Ω $\frac{1}{4}$ W \pm 5%
R234	5400-222ADC-00	CF 2.2K Ω $\frac{1}{4}$ W \pm 5%
R235	5400-394ADC-00	CF 390K Ω $\frac{1}{4}$ W \pm 5%
R236	5400-102ADC-00	CF 1K Ω $\frac{1}{4}$ W \pm 5%
R237	5400-821ADC-00	CF 820 Ω $\frac{1}{4}$ W \pm 5%
R238	5400-220DHC-00	MO 22 Ω 2W \pm 5%
R239	5400-152ADC-00	CF 1.5K Ω $\frac{1}{4}$ W \pm 5%
R240	5400-152ADC-00	CF 1.5K Ω $\frac{1}{4}$ W \pm 5%
R241	5400-103ADC-00	CF 10K Ω $\frac{1}{4}$ W \pm 5%
R245	5400-103ADC-00	CF 10K Ω $\frac{1}{4}$ W \pm 5%
R246	5400-333ADC-00	CF 33K Ω $\frac{1}{4}$ W \pm 5%
R247	5400-271ADC-00	CF 270 Ω $\frac{1}{4}$ W \pm 5%
R248	5400-221ADC-00	CF 220 Ω $\frac{1}{4}$ W \pm 5%
R249	5400-221ADC-00	CF 220 Ω $\frac{1}{4}$ W \pm 5%
R250	5400-221ADC-00	CF 220 Ω $\frac{1}{4}$ W \pm 5%
R251	5404-822DGC-00	MO 8.2K Ω 1W \pm 5%
R252	5400-103ADC-00	CF 10K Ω $\frac{1}{4}$ W \pm 5%
R253	5400-103ADC-00	CF 10K Ω $\frac{1}{4}$ W \pm 5%
R254	5400-154ADC-00	CF 150K Ω $\frac{1}{4}$ W \pm 5%
R255	5400-103ADC-00	CF 10K Ω $\frac{1}{4}$ W \pm 5%
R256	5400-103ADC-00	CF 10K Ω $\frac{1}{4}$ W \pm 5%
R257	5400-221ADC-00	CF 220 Ω $\frac{1}{4}$ W \pm 5%
R258	5400-122ADC-00	CF 1.2K Ω $\frac{1}{4}$ W \pm 5%
R242	5400-562ADC-00	CF 5.6K Ω $\frac{1}{4}$ W \pm 5%
R259	5400-102ADC-00	CF 1K Ω $\frac{1}{4}$ W \pm 5%
R260	5400-334ADC-00	CF 330K Ω $\frac{1}{4}$ W \pm 5%
R261	5400-183ADC-00	CF 18K Ω $\frac{1}{4}$ W \pm 5%
R262	5400-753ADC-00	CF 75K Ω $\frac{1}{4}$ W \pm 5%
R263	5400-332ADC-00	CF 3.3K Ω $\frac{1}{4}$ W \pm 5%

SYMBOL NO.	PARTS NO.	DESCRIPTION
Resistors		
R264	5400-101ADC-00	CF 100 Ω $\frac{1}{4}$ W \pm 5%
R265	5404-220DHC-00	MO 22 Ω $\frac{1}{4}$ W \pm 5%
R266	5404-222DGC-00	CF 2.2K Ω 1W \pm 5%
R267	5400-103ADC-00	CF 10K Ω $\frac{1}{4}$ W \pm 5%
R268	5404-103DIC-00	CF 10K Ω 3W \pm 5%
R269	5400-471ADC-00	CF 470 Ω $\frac{1}{4}$ W \pm 5%
R270	5400-103ADC-00	CF 10K Ω $\frac{1}{4}$ W \pm 5%
R271	5400-223ADC-00	CF 22K Ω $\frac{1}{4}$ W \pm 5%
R273	5400-561ADC-00	CF 560 Ω $\frac{1}{4}$ W \pm 5%
R274	5400-183ADC-00	CF 18K Ω $\frac{1}{4}$ W \pm 5%
R275	5400-562ADC-00	CF 5.6K Ω $\frac{1}{4}$ W \pm 5%
R276	5400-133ADC-00	CF 13K Ω $\frac{1}{4}$ W \pm 5%
R277		
R278	5400-471ADC-00	CF 470 Ω $\frac{1}{4}$ W \pm 5%
R279	5400-471ADC-00	CF 470 Ω $\frac{1}{4}$ W \pm 5%
R280	5400-471ADC-00	CF 470 Ω $\frac{1}{4}$ W \pm 5%
R281	5400-223ADC-00	CF 22K Ω $\frac{1}{4}$ W \pm 5%
R282	5400-102ADC-00	CF 1K Ω $\frac{1}{4}$ W \pm 5%
R286	5400-222ADC-00	CF 2.2K Ω $\frac{1}{4}$ W \pm 5%
R301	5400-333ADC-00	CF 33K Ω $\frac{1}{4}$ W \pm 5%
R303	5400-102ADC-00	CF 1K Ω $\frac{1}{4}$ W \pm 5%
R304	5400-564ADC-00	CF 560K Ω $\frac{1}{4}$ W \pm 5%
R305	5400-153ADC-00	CF 15K Ω $\frac{1}{4}$ W \pm 5%
R306	5400-183ADC-00	CF 18K Ω $\frac{1}{4}$ W \pm 5%
R307	5410-010DGC-00	MO 1 Ω 1W \pm 5%
R308	5404-222DGC-00	MO 2.2K Ω 1W \pm 5%
R309	5410-271DHC-00	MO 270 Ω 2W \pm 5%
R310	5404-022EHC-00	FU 2.2 Ω 2W \pm 5%
R311	5404-022EGC-00	FU 2.2 Ω 1W \pm 5%
R312	5400-561ADC-00	CF 560 Ω $\frac{1}{4}$ W \pm 5%
R313	400-272AFC-00	CF 2.7K Ω $\frac{1}{2}$ W \pm 5%
R314	5405-362DKC-00	MO 3.6K Ω 5W \pm 5%
R315	5400-184AFC-00	CF 180K Ω $\frac{1}{2}$ W \pm 5%
R316	5400-220AFC-00	CF 22 Ω $\frac{1}{2}$ W \pm 5%
R317	5400-103AFC-00	CF 10K Ω $\frac{1}{2}$ W \pm 5%
R318	5405-039GHD-01	NI 3.9 Ω 2W \pm 5%
R319	5410-010DGC-00	MO 1 Ω 1W \pm 5%
R320	5404-223DGC-00	MO 22K Ω 1W \pm 5%
R243	5400-331ADC-00	CF 330 Ω $\frac{1}{4}$ W \pm 5%
R244	5400-102ADC-00	CF 1K Ω $\frac{1}{4}$ W \pm 5%
R331	5400-101ADC-00	CF 100 Ω $\frac{1}{4}$ W \pm 5%
R332	5400-473ADC-00	CF 47K Ω $\frac{1}{4}$ W \pm 5%
R333	5400-183ADC-00	CF 18K Ω $\frac{1}{4}$ W \pm 5%
R334	5400-563ADC-00	CF 56K Ω $\frac{1}{4}$ W \pm 5%
R335	5400-101ADC-00	CF 100 Ω $\frac{1}{4}$ W \pm 5%
R336	5400-272ADC-00	CF 2.7Kohm $\frac{1}{4}$ W \pm 5%
R337	5400-223ADC-00	CF 22K Ω $\frac{1}{4}$ W \pm 5%
R338	5400-101ADC-00	CF 100 Ω $\frac{1}{4}$ W \pm 5%
R339	5400-824ADC-00	CF 820K Ω $\frac{1}{4}$ W \pm 5%
R401	5400-222ADC-00	CF 2.2K Ω $\frac{1}{4}$ W \pm 5%
R402	5400-104ADC-00	CF 100K Ω $\frac{1}{4}$ W \pm 5%
R403	5400-102ADC-00	CF 1K Ω $\frac{1}{4}$ W \pm 5%

ELECTRICAL PARTS LIST (B)

SYMBOL NO.	PARTS NO.	DESCRIPTION
Resistors		
R404	5400-153ADC-00	CF 15K Ω $\frac{1}{4}$ W \pm 5%
R405	5400-153ADC-00	CF 15K Ω $\frac{1}{4}$ W \pm 5%
R406	5400-221ADC-00	CF 220 Ω $\frac{1}{4}$ W \pm 5%
R407	5400-221ADC-00	CF 220 Ω $\frac{1}{4}$ W \pm 5%
R408	5400-821ADC-00	CF 820 Ω $\frac{1}{4}$ W \pm 5%
R409	5400-821ADC-00	CF 820 Ω $\frac{1}{4}$ W \pm 5%
R410	5400-821ADC-00	CF 820 Ω $\frac{1}{4}$ W \pm 5%
R411	5400-821ADC-00	CF 820 Ω $\frac{1}{4}$ W \pm 5%
R412	5400-103ADC-00	CF 10K Ω $\frac{1}{4}$ W \pm 5%
R413	5400-103ADC-00	CF 10K Ω $\frac{1}{4}$ W \pm 5%
R414	5400-103ADC-00	CF 10K Ω $\frac{1}{4}$ W \pm 5%
R415	5400-222ADC-00	CF 2.2K Ω $\frac{1}{4}$ W \pm 5%
R416	5400-222ADC-00	CF 2.2K Ω $\frac{1}{4}$ W \pm 5%
R417	5400-222ADC-00	CF 2.2K Ω $\frac{1}{4}$ W \pm 5%
R418	5400-222ADC-00	CF 22 Ω $\frac{1}{4}$ W \pm 5%
R501	5400-102ADC-00	CF 1k Ω $\frac{1}{4}$ W \pm 5%
R502	5400-302ADC-00	CF 32K Ω $\frac{1}{4}$ W \pm 5%
R503	5400-302ADC-00	CF 3K Ω $\frac{1}{4}$ W \pm 5%
R504	5400-302ADC-00	CF 3K Ω $\frac{1}{4}$ W \pm 5%
R505	5400-222ADC-00	CF 2.2K Ω $\frac{1}{4}$ W \pm 5%
R506	5400-222ADC-00	CF 2.2K Ω $\frac{1}{4}$ W \pm 5%
R507	5400-222ADC-00	CF 2.2K Ω $\frac{1}{4}$ W \pm 5%
R508	5400-471ADC-00	CF 470 Ω $\frac{1}{4}$ W \pm 5%
R509	5400-471ADC-00	CF 470 Ω $\frac{1}{4}$ W \pm 5%
R510	5400-471ADC-00	CF 470 Ω $\frac{1}{4}$ W \pm 5%
R511	5406-124BFD-00	CC 120K Ω $\frac{1}{2}$ W \pm 5%
R512	5406-124BFD-00	CC 120K Ω $\frac{1}{2}$ W \pm 5%
R513	5406-124BFD-00	CC 120K Ω $\frac{1}{2}$ W \pm 5%
R514	5400-912ADC-00	CF 9.1K Ω $\frac{1}{4}$ W \pm 5%
R515	5400-912ADC-00	CF 9.1K Ω $\frac{1}{4}$ W \pm 5%
R516	5400-912ADC-00	CF 9.1K Ω $\frac{1}{4}$ W \pm 5%
R517	5404-153DHC-00	MO 15K Ω 2W \pm 5%
R518	5404-153DHC-00	MO 15K Ω 2W \pm 5%
R519	5404-153DHC-00	MO 15K Ω 2W \pm 5%
R520	5406-272BFD-00	CC 2.7K Ω $\frac{1}{2}$ W \pm 10%
R521	5406-272BFD-00	CC 2.7K Ω $\frac{1}{2}$ W \pm 10%
R522	5406-272BFD-00	CC 2.7K Ω $\frac{1}{2}$ W \pm 10%
R523	5400-104ADC-00	CF 100K Ω $\frac{1}{4}$ W \pm 5%
R524	5400-151ADC-00	CF 150 Ω $\frac{1}{4}$ W \pm 5%
R525	5400-821ADC-00	CF 820 Ω $\frac{1}{4}$ W \pm 5%
R526	5400-331ADC-00	CF 330 Ω $\frac{1}{4}$ W \pm 5%
R527	5400-512ADC-00	CF 5.1K Ω $\frac{1}{4}$ W \pm 5%
R528	5400-101ADC-00	CF 100 Ω $\frac{1}{4}$ W \pm 5%
R529	5400-101ADC-00	CF 100 Ω $\frac{1}{4}$ W \pm 5%
R601	5402-200KZZ-01	P.T.C. THERMISTOR

SYMBOL NO.	PARTS NO.	DESCRIPTION
Resistors		
R602	5410-040GPD-00	NI 4 Ω 10W \pm 10%
R603	5405-022GHD-01	NI 2.2 Ω 2W \pm 10%
R604	5400-331ADC-00	CF 330 Ω $\frac{1}{4}$ W \pm 5%
R605	5400-682ADC-00	CF 6.8K Ω $\frac{1}{4}$ W \pm 5%
R606	5400-332ADC-00	CF 3.3K Ω $\frac{1}{4}$ W \pm 5%
R607	5400-182ADC-00	CF 1.8K Ω $\frac{1}{4}$ W \pm 5%
R608	5400-822ADC-00	CF 8.2K Ω $\frac{1}{4}$ W \pm 5%
R609	5400-123ADC-00	CF 12K Ω $\frac{1}{4}$ W \pm 5%
R610	5400-682ADC-00	CF 6.8K Ω $\frac{1}{4}$ W \pm 5%
R611	5400-472ADC-00	CF 4.7K Ω $\frac{1}{4}$ W \pm 5%
R612	5404-120DHC-00	MO 12 Ω 2W \pm 5%
R613	5404-270DHC-00	MO 27 Ω 2W \pm 5%
R614	5410-002GHD-00	NI 0.2 Ω 2W \pm 10%
R615	5405-390GLD-00	NI 39 Ω 6W \pm 10%
R616	5406-184AFC-00	CF 180K Ω $\frac{1}{2}$ W \pm 5%
R617	5406-184AFC-00	CF 180K Ω $\frac{1}{2}$ W \pm 5%
R618	5406-565BFD-00	CC 5.6M Ω $\frac{1}{2}$ W \pm 10%
R619	5406-565BFD-00	CC 5.6M Ω $\frac{1}{2}$ W \pm 10%
R620	5406-275BFD-00	CC 2.7M Ω $\frac{1}{2}$ W \pm 10%
R621	5400-103ADC-00	CF 10K Ω $\frac{1}{4}$ W \pm 5%
R622	5400-103ADC-00	CF 10K Ω $\frac{1}{4}$ W \pm 5%
R623	5400-122ADC-00	CF 1.2K Ω $\frac{1}{4}$ W \pm 5%
R624	5400-180ADC-00	CF 18K Ω $\frac{1}{4}$ W \pm 5%
R625	5400-010ADC-00	CF 1 Ω $\frac{1}{4}$ W \pm 5%
R626	5400-122ADC-00	CF 1.2K Ω $\frac{1}{4}$ W \pm 5%
R627	5400-180ADC-00	CF 18 Ω $\frac{1}{4}$ W \pm 5%
R628	5400-010ADC-00	CF 1 Ω $\frac{1}{4}$ W \pm 5%
R629	5400-104AFC-00	CF 100K Ω $\frac{1}{2}$ W \pm 5%
R630	5400-272ADC-00	CF 2.7K Ω $\frac{1}{4}$ W \pm 5%
R631	5400-392ADC-00	CF 3.9 Ω $\frac{1}{4}$ W \pm 5%
R632	5404-002DGC-00	MO 0.2 Ω 1W \pm 5%
R633	5404-002DGC-00	MO 0.2 Ω 1W \pm 5%
R701	5400-101ADC-00	CF 100 Ω $\frac{1}{4}$ W \pm 5%
R702	5400-471ADC-00	CF 470 Ω $\frac{1}{4}$ W \pm 5%
R801	5400-561ADC-00	CF 560 Ω $\frac{1}{4}$ W \pm 5%
R802	5400-331ADC-00	CF 330 Ω $\frac{1}{4}$ W \pm 5%
R803	5400-100ADC-00	CF 10 Ω $\frac{1}{4}$ W \pm 5%
R804	5400-102ADC-00	CF 1K Ω $\frac{1}{4}$ W \pm 5%
R805	5400-220ADC-00	CF 2.2K Ω $\frac{1}{4}$ W \pm 5%
R806	5400-102ADC-00	CF 1K Ω $\frac{1}{4}$ W \pm 5%
R807	5400-220ADC-00	CF 22K Ω $\frac{1}{4}$ W \pm 5%
R808	5400-102ADC-00	CF 1K Ω $\frac{1}{4}$ W \pm 5%
R809	5400-393ADC-00	CF 39K Ω $\frac{1}{4}$ W \pm 5%
R810	5400-823ADC-00	CF 82K Ω $\frac{1}{4}$ W \pm 5%
R811	5400-103ADC-00	CF 10K Ω $\frac{1}{4}$ W \pm 5%
R635	5400-104AFC-00	CF 100K Ω $\frac{1}{2}$ W \pm 5%
R634	5400-121DHC-00	MO 120 Ω 2W \pm 5%

ELECTRICAL PARTS LIST (B)

SYMBOL NO.	PARTS NO.	DESCRIPTION
Resistors		
R812	5400-102ADC-00	CF 1K Ω $\frac{1}{4}$ W \pm 5%
R813	5400-472ADC-00	CF 4.7K Ω $\frac{1}{4}$ W \pm 5%
R814	5400-102ADC-00	CF 1K Ω $\frac{1}{4}$ W \pm 5%
R815	5400-102ADC-00	CF 1K Ω $\frac{1}{4}$ W \pm 5%
R816	5400-202ADC-00	CF 2K Ω $\frac{1}{4}$ W \pm 5%
R817	5400-202ADC-00	CF 2K Ω $\frac{1}{4}$ W \pm 5%
R818	5400-472ADC-00	CF 4.7K Ω $\frac{1}{4}$ W \pm 5%
R819	5400-133ADC-00	CF 13K Ω $\frac{1}{4}$ W \pm 5%
R820	5400-152ADC-00	CF 1.5K Ω $\frac{1}{4}$ W \pm 5%
R821	5400-103ADC-00	CF 10K Ω $\frac{1}{4}$ W \pm 5%
R822	5400-103ADC-00	CF 10K Ω $\frac{1}{4}$ W \pm 5%
R823	5400-222ADC-00	CF 2.2K Ω $\frac{1}{4}$ W \pm 5%
R824	5400-222ADC-00	CF 2.2K Ω $\frac{1}{4}$ W \pm 5%
R825	5400-562ADC-00	CF 5.6K Ω $\frac{1}{4}$ W \pm 5%
R826	5400-103ADC-00	CF 10K Ω $\frac{1}{4}$ W \pm 5%
R827	5400-270ADC-00	CF 27K Ω $\frac{1}{4}$ W \pm 5%
R828	5400-151ADC-00	CF 150 Ω $\frac{1}{4}$ W \pm 5%
R829	5400-562ADC-00	CF 5.6K Ω $\frac{1}{4}$ W \pm 5%
R830	5400-151ADC-00	CF 150 Ω $\frac{1}{4}$ W \pm 5%
R831	5400-562ADC-00	CF 5.6K Ω $\frac{1}{4}$ W \pm 5%
R832	5400-151ADC-00	CF 150 Ω $\frac{1}{4}$ W \pm 5%
R833	5400-561ADC-00	CF 560 $\frac{1}{4}$ W \pm 5% Ω
R834	5400-472ADC-00	CF 4.7K Ω $\frac{1}{4}$ W \pm 5%
R835	5400-151ADC-00	CF 150 Ω $\frac{1}{4}$ W \pm 5%
R836	5400-159ADC-00	CF 150K Ω $\frac{1}{4}$ W \pm 5%
R837	5400-274ADC-00	CF 270K Ω $\frac{1}{4}$ W \pm 5%
R838	5400-394ADC-00	CF 390K Ω $\frac{1}{4}$ W \pm 5%
R839	5400-394ADC-00	CF 390K Ω $\frac{1}{4}$ W \pm 5%
R840	5400-273ADC-00	CF 27K Ω $\frac{1}{4}$ W \pm 5%
R841	5400-273ADC-00	CF 27K Ω $\frac{1}{4}$ W \pm 5%
R842	5400-102ADC-00	CF 1K Ω $\frac{1}{4}$ W \pm 5%
R901	5400-181AFC-00	CF 180 Ω $\frac{1}{2}$ W \pm 5%
R902	5400-181AFC-00	CF 180 Ω $\frac{1}{2}$ W \pm 5%
R1401	5400-103ADC-00	CF 10K Ω $\frac{1}{4}$ W \pm 5%
R1402	5400-151ADC-00	CF 150 Ω $\frac{1}{4}$ W \pm 5%
R1403	5400-151ADC-00	CF 150 Ω $\frac{1}{4}$ W \pm 5%
R1404	5400-103ADC-00	CF 10K Ω $\frac{1}{4}$ W \pm 5%
R1405	5400-683DGC-00	CF 68K Ω $\frac{1}{4}$ W \pm 5%
R1406	5400-331ADC-00	CF 330 Ω $\frac{1}{4}$ W \pm 5%
R1407	5400-821ADC-00	CF 820 Ω $\frac{1}{4}$ W \pm 5%
R1408	5400-471ADC-00	CF 470 Ω $\frac{1}{4}$ W \pm 5%
R1409	5400-103ADC-00	CF 10K Ω $\frac{1}{4}$ W \pm 5%
R1410	5400-102ADC-00	CF 1K Ω $\frac{1}{4}$ W \pm 5%
R1411		
R1412	5400-471ADC-00	CF 470 Ω $\frac{1}{4}$ W \pm 5%
R1413	5400-331ADC-00	CF 330 Ω $\frac{1}{4}$ W \pm 5%
R1414	5400-102ADC-00	CF 1K Ω $\frac{1}{4}$ W \pm 5%
R1415	5400-272ADC-00	CF 2.7K Ω $\frac{1}{4}$ W \pm 5%
R1416	5400-272ADC-00	CF 2.7K Ω $\frac{1}{4}$ W \pm 5%
R1417	5400-820ADC-00	CF 82 Ω $\frac{1}{4}$ W \pm 5%
R1418	5400-820ADC-00	CF 82 Ω $\frac{1}{4}$ W \pm 5%

SYMBOL NO.	PARTS NO.	DESCRIPTION
Resistors		
R1419	5400-820ADC-00	CF 82 Ω $\frac{1}{4}$ W \pm 5%
R1420	5400-820ADC-00	CF 82 Ω $\frac{1}{4}$ W \pm 5%
R1421	5400-102ADC-00	CF 1K Ω $\frac{1}{4}$ W \pm 5%
R1422	5400-102ADC-00	CF 1K Ω $\frac{1}{4}$ W \pm 5%
R1423	5400-102ADC-00	CF 1K Ω $\frac{1}{4}$ W \pm 5%
R1424	5400-151ADC-00	CF 150 Ω $\frac{1}{4}$ W \pm 5%
R1425	5400-682ADC-00	CF 6.8K Ω $\frac{1}{4}$ W \pm 5%
Capacitors		
C001	5600-A225FE-00	EL 2.2 μ F 50V \pm 20%
C002	5600-A105FE-00	EL 1 μ F 50V \pm 20%
C003	5600-A105FE-00	EL 1 μ F 50V \pm 20%
C004	5600-C104GD-00	PO 0.1 μ F 100V 10%
C005	5600-A106CE-00	EL 10 μ F 16V \pm 20%
C006	5600-A104FH-00	EL 0.1 μ F 50V \pm 20%
C007	5600-C474GD-00	NP 0.47 μ F 100V \pm 20%
C008	5600-A106CE-00	EL 10 μ F 16V \pm 20%
C009	5600-A105FE-00	EL 1 μ F 50V \pm 20%
C010	5600-C104GD-00	PO 0.1 μ F 100V 10%
C011	5600-A227BE-00	EL 220 μ F 10V \pm 20%
C012	5600-A108CE-00	EL 1000 μ F 16V \pm 20%
C013	5600-A105FE-00	EL 1 μ F 50V \pm 20%
C014	5600-A105FE-00	EL 1 μ F 50V \pm 20%
C015	5600-A105FE-00	EL 1 μ F 50V \pm 20%
C016	5600-A105FE-00	EL 1 μ F 50V \pm 20%
C017	5600-A105FE-00	EL 1 μ F 50V \pm 20%
C018	5600-A105FE-00	EL 1 μ F 50V \pm 20%
C019	5600-A225FE-00	EL 2.2 μ F 50V \pm 20%
C020	5600-B330FC-00	CE 33PF 50V \pm 5%
C021	5600-B330FC-00	CE 33PF 50V \pm 5%
C022	5600-B104FH-00	CE 0.1 μ F 50V \pm 80% -20%
C023	5600-A105FE-00	EL 1 μ F 50V \pm 20%
C024	5600-A107BE-00	EL 100 μ F 10V \pm 20%
C025	5600-A477CE-00	EL 470 μ F 16V \pm 20%
C026	5600-A106CE-00	EL 10 μ F 16V \pm 20%
C101	5600-B103FH-00	CE 0.01 μ F 50V \pm 80% -20%
C102	5600-B103FH-00	CE 0.01 μ F 50V \pm 80% -20%
C103	5600-B103FH-00	CE 0.01 μ F 50V \pm 80% -20%
C104	5600-B203FH-00	CE 0.02 μ F 50V \pm 80% -20%
C105	5600-B102FD-00	CE 1000PF 50V \pm 10%

ELECTRICAL PARTS LIST (B)

SYMBOL NO.	PARTS NO.	DESCRIPTION
Capacitors		
C106	5600-A226CE-00	EL 22uF 16V \pm 20%
C107	5600-B104FH-00	CE 0.1uF 50V + 80% -20%
C108	5600-A107CE-00	EL 100uF 16V \pm 20%
C109	5600-A105FE-00	EL 1uF 50V \pm 20%
C110	5600-A226CE-00	EL 22uF 16V \pm 20%
C111	5600-A227CE-00	EL 220uF 16V \pm 20%
C112	5600-A106CE-00	EL 10uF 16V \pm 20%
C113	5600-A475DE-00	EL 4.7uF 25V \pm 20%
C114	5600-A476CE-00	EL 47uF 16V \pm 20%
C115	5600-A106CE-00	EL 10uF 16V \pm 20%
C116	5600-B103FH-00	CE 0.01uF 50V + 80% -20%
C117	5600-B103FH-00	CE 0.01uF 50V + 80% -20%
C118	5600-B103FH-00	CE 0.01uF 50V + 80% -20%
C119	5600-B103FH-00	CE 0.01uF 50V + 80% -20%
C120	5600-B020FA-00	CE 2PF 50V \pm 0.25PF
C121	5600-B080FB-00	CE 8PF 50V \pm 0.5PF
C122	5600-B020FA-00	CE 2PF 50V \pm 0.25PF
C123	5600-B020FA-00	CE 2PF 50V \pm 0.25PF
C124	5600-B150FC-00	CE 15PF 50V \pm 5%
C125	5600-B470FC-00	CE 47PF 50V \pm 5%
C126	5600-A105FE-00	EL 1uF 50V \pm 20%
C127	5600-A105FE-00	EL 1uF 50V \pm 20%
C128	5600-B103FH-00	CE 0.01uF 50V + 80% -20%
C129	5600-A107CE-00	EL 100uF 16V \pm 20%
C130	5600-B470FC-00	CE 47PF 50V \pm 20%
C131	5600-A106CE-00	EL 10uF 16V \pm 20%
C201	5600-A476CE-00	EL 47uF 16V \pm 20%
C202	5600-B181FC-00	CE 180PF 50V \pm 5%
C203	5600-B103FH-00	CE 0.01uF 50V + 80% -20%
C204	5600-A474FE-00	EL 0.47uF 50V \pm 20%
C205	5600-A474FE-00	EL 0.47uF 50V \pm 20%
C206	5600-A474CE-00	EL 470uF 16V \pm 20%
C207	5600-A474FE-00	EL 0.47uF 50V \pm 20%
C208	5600-B103FH-00	CE 0.01uF 50V + 80% -20%
C209	5600-A106CE-00	EL 10uF 16V \pm 20%
C210	5600-A474FE-00	EL 0.47uF 50V \pm 20%

SYMBOL NO.	PARTS NO.	DESCRIPTION
Capacitors		
C213	5600-C224GD-00	PO 0.22uF 100V \pm 10%
C214	5600-C224GD-00	PO 0.22uF 100V \pm 10%
C215	5600-C224GD-00	PO 0.2
C216	5600-A106CE-00	EL 10uF 16V \pm 20%
C217	5600-B224FH-00	CE 0.22uF 50V + 80% -20%
C218	5600-B224FH-00	CE 0.22uF 50V + 80% -20%
C219	5600-B224FH-00	CE 0.22uF 50V + 80% -20%
C220	5600-A476CE-00	EL 47uF 16V \pm 20%
C221	5600-B103FH-00	CE 0.01uF 50V + 80% -20%
C222	5600-B102FD-00	CE 1000PF 50V \pm 10%
C223	5600-C183GD-00	PO 0.018uF 100V \pm 10%
C224	5600-C223GD-00	PO 0.022uF 100V \pm 10%
C225	5600-A225FE-00	EL 2.2uF 50V \pm 20%
C226	5600-C223GD-00	PO 0.022uF 100V \pm 10%
C227	5600-B241FC-00	CE 240PF 50V \pm 5%
C228	5600-B102FD-00	CE 1000PF 50V \pm 10%
C229	5600-A225FE-00	EL 2.2uF 50V \pm 20%
C230	5600-B181FC-00	CE 180PF 50V \pm 5%
C231	5600-B181FC-00	CE 180PF 50V \pm 5%
C232	5600-B181FC-00	CE 180PF 50V \pm 5%
C233	5610-J200FC-00	TC 20PF 50V \pm 5%
C234	5610-J680FC-00	TC 68PF 50V \pm 5%
C235	5600-B080FB-00	CE 8PF 50V \pm 0.5pF
C236	5600-B103FH-00	CE 0.01uF 50V + 80% -20%
C237	5600-J680FC-00	TC 68PF 50V \pm 5%
C238	5610-J200FC-00	TC 20PF 50V \pm 5%
C239	5600-B080FB-00	CE 8PF 50V \pm 0.5PF
C240	5600-A477CE-00	EL 470uF 16V \pm 20%
C241	5600-B103FH-00	CE 0.01uF 50V + 80% -20%
C242	5600-B103FH-00	CE 0.01uF 50V + 80% -20%
C243	5600-B103FH-00	CE 0.01uF 50V + 80% -20%
C244	5600-B103FH-00	CE 0.01uF 50V + 80% -20%
C245	5600-A474FE-00	EL 0.47uF 50V \pm 20%
C211	5600-B103FH-00	CE 0.01uF 50V + 80% -20%
C212	5600-B103FH-00	CE 0.01uF 50V + 80% -20%

ELECTRICAL PARTS LIST (B)

SYMBOL NO.	PARTS NO.	DESCRIPTION
Capacitors		
C246	5600-B103FH-00	CE 0.01uF 50V +80% -80%
C247	5600-B103FH-00	CE 0.1uF 50V +80% -20%
C248	5600-B180FC-00	CE 18PF 50V ±5%
C249	5600-B100FC-00	CE 10PF 50V ±5%
C250	5600-B100FC-00	CE 10PF 50V ±5%
C251	5600-C563GD-00	PO 0.056uF 100V ±10%
C252	5600-C563GD-00	PO 0.056uF 100V ±10%
C253	5600-B103FH-00	CE 0.01uF 50V +80% -20%
C254	5600-B151FC-00	CE 150PF 50V ±5%
C255	5600-B220FC-00	CE 22PF 50V ±5%
C256	5600-B103FH-00	CE 0.01uF 50V +80% -20%
C257	5600-L225CE-00	NP 2.2uF 16V ±20%
C258	5600-B390FC-00	CE 39PF 50V ±5%
C259	5600-A105FE-00	EL 1uF 50V ±20%
C261	5600-B472MD-00	CE 0.0047uF 500V ±10%
C262	5600-A475FE-00	EL 4.7uF 50V ±20%
C264	5600-B102FD-00	CE 1000PF 50V ±10%
C265	5600-B331FC-00	CE 330PF 50V ±5%
C266	5600-B102FD-00	CE 1000PF 50V ±10%
C267	5600-A474FE-00	EL 0.47uF 50V ±20%
C268	5600-A105FE-00	EL 1uF 50V ±20%
C269	5600-A474FE-00	EL 0.47uF 50V ±20%
C270	5600-A106CE-00	EL 10uF 16V ±20%
C271	5600-A225FE-00	EL 2.2uF 50V ±20%
C272	5600-A226CE-00	EL 22uF 16V ±20%
C273		
C274	5600-A107CE-00	EL 100uF 16V ±20%
C275	5600-A106CE-00	EL 10uF 16V ±5%
C276	5600-B220FC-00	CE 22PF 50V ±5%
C277	5600-A226CE-00	EL 22uF 16V ±20%
C278	5600-B403FH-00	CE 0.04uF 50V +80% -20%
C279	5600-A476CE-00	EL 47uF 16V ±20%
C301	5600-B203FH-00	CE 0.02uF 50V +80% -20%
C302	5600-B102FD-00	CE 1000PF 50V ±5%
C303	5600-C104GD-00	PO 0.1uF 100V ±10%
C304	5600-A337EE-00	EL 330uF 35V ±20%
C305	5600-A228EE-00	EL 2200uF 35V ±20%
C306	5600-A225FE-00	EL 2.2uF 50V ±20%

SYMBOL NO.	PARTS NO.	DESCRIPTION
Capacitors		
C308	5600-B681MD-00	CE 680PF 500V ±10%
C309	5600-B681MD-00	CE 680PF 500V ±10%
C310	5600-A108DE-00	EL 1000uF 25V +50% -10%
C312	5615-D2220D-00	PP 0.0022uF 630V ±10%
C313	5615-D4731D-00	PP 0.047uF 200V ±10%
C314	5600-B104FH-00	CE 0.1uF 50V +80% -20%
C315	5607-E153TC-00	PP 0.015uF 2000V ±5%
C316	5615-E152TC-00	PP 0.0015uF 2000V ±5%
C317	5600-B681MD-00	CE 680PF 500V ±10%
C318	5600-A106KG-00	EL 10uF 250V +50% -20%
C319	5615-D5631D-00	PP 0.056uF 200V ±10%
C321	5615-D274LC-00	PP 0.27uF 400V ±10%
C322	5600-A107HG-00	EL 100uF 160V +50% -20%
C332	5600-A475FE-00	EL 4.7uF 50V ±20%
C333	5600-A106FE-00	EL 10uF 50V ±20%
C401	5600-B104FH-00	CE 0.1uF 50V +80% -20%
C402	5600-C223GD-00	PO 0.022uF
C403	5600-A106BE-00	EL 10uF 10V ±20%
C404	5600-A476BE-00	EL 47uF 10V ±20%
C405	5600-C223GD-00	PO 0.022uF
C501	5600-B150FC-00	CE 15PF 50V ±5%
C502	5600-B220FC-00	CE 22PF 50V ±5%
C503	5600-B680FC-00	CE 68PF 50V ±5%
C504	5600-B103FH-00	CE 0.01uF 50V +80% -20%
C505	5600-B104FH-00	CE 0.1uF 50V +80% -20%
C506	5600-A106CE-00	EL 10uF 16V ±20%
C507	5600-A107CE-00	EL 100uF 16V ±20%
C508	5600-A474FE-00	EL 0.47uF 50V ±20%
C509	5600-B472RD-00	CE 4700PF 1000V ±10%
C601	5607-E474WE-00	PO 0.47uF AC 250V ±20%
C602	5607-E105WE-00	PO 1uF AC 250V ±20%
C330	5607-E722TC-00	PP 0.0072uF 2KV ±5%
C331	5615-D331LC-00	PP 0.033uF 400V ±5%
C307	5601-A338DE-00	EL 3300uF 25V ±20%
C280	5600-B560FC-00	CE 56uF 50V ±5%

ELECTRICAL PARTS LIST (B)

SYMBOL NO.	PARTS NO.	DESCRIPTION
Capacitors		
C603	5600-B472RD-00	CE 0.0047uF 1KV ±10%
C604	5600-B472RD-00	CE 0.0047uF 1KV ±10%
C605	5600-B472RD-00	CE 0.0047uF 1KV ±10%
C606	5601-A227LG-00	EL 220uF 400V +50% -10%
C607	5600-C333GD-00	PO 0.033uF 100V ±10%
C608	5600-A106FE-00	EL 10uF 50V ±20%
C609	5600-C104GD-00	PO 0.1uF 100V ±10%
C610	5601-A479DE-00	EL 47uF 25V ±20%
C611	5615-E222RD-00	PP 0.0022uF 1200V ±10%
C612	5600-F222XE-00	CE 0.0022uF AC 400V ±20%
C613	5605-B681MD- 00	CE 680PF 500V ±10%
C614	5600-B472RD-00	CE 0.0047uF 1KV ±10%
C615	5600-A338DE-00	EL 3300uF 25V ±20%
C616	5600-A107HG-00	EL 100uF 160V +50% -20%
C617	5600-A228DE-00	EL 2200uF 25V ±20%
C618	5600-F222XE-00	CE 0.0022uF AC 400V ±20%
C619	5600-B203FH-00	CE 0.02uF 50V +80% -20%
C620	5600-A226CE-00	EL 22uF 16V ±20%
C621	5600-A476CE-00	EL 47uF 16V ±20%
C622	5600-A476CE-00	EL 47uF 16V ±20%
C623	5600-B224FH-00	CE 0.22uF 50V +80% -20%
C624	5600-B224FH-00	CE 0.22uF 50V +80% -20%
C625	5600-A228DE-00	EL 2200uF 25V ±20%
C626	5600-A228DE-00	EL 2200uF 25V ± 20%
C627	5600-A106FE-00	EL 10uF 50V ±20%
C629	5600-A106FE-00	EL 10uF 50V ±20%
C630	5600-B203FH-00	CE 0.02uF 50V +80 -20%
C631	5600-B203FH-00	CE 0.02uF 50V +80 -20%
C632	5600-A105FE-00	EL 1uF 50V ±20%
C701	5600-B101FC-00	EL 100PF 50V ±5%
C702	5600-B101FC-00	EL 100PF 50V ±5%
C703	5601-A107BE-00	EL 100uF 10V ± 20%
C801	5600-B103FH-00	CE 0.01uF 50V +80% -20%

SYMBOL NO.	PARTS NO.	DESCRIPTION
Capacitors		
C802	5600-A476CE-00	EL 47uF 16V ±20%
C803	5600-B103FH-00	CE 0.01uF 50V ±80% -20%
C804	5600-B050FA-00	CE 5PF 50V ±0.25PF
C805	5600-B103FH-00	CE 0.01uF 50V +80% -20%
C806	5610-J680FC-00	TC 68PF 50V ±5%
C807	5600-C223GD-00	PO 0.022uF 100V ±10%
C808	5600-A474FE-00	EL 0.47uF 50V ± 20%
C809	5600-C223GD-00	PO 0.022uF 100V ±10%
C810	5600-C223GD-00	PO 0.022uF 100V ±10%
C811	5610-J560FC-00	TC 56PF 50V ±5%
C812	5600-J560FC-00	TC 56PF 50V ±5%
C813	5610-1471GD-00	PF 470PF 125V ±10%
C814	5600-B203FH-00	CE 0.02uF 50V +80% -20%
C815	5600-A107CE-00	EL 100uF 16V ± 20%
C816	5600-C332GD-00	PO 0.0033uF 100V ±10%
C817	5600-A224FE-00	EL 0.022uF 50V ±20%
C818	5600-A225FE-00	EL 2.2uF 50V ±20%
C819	5600-C223GD-00	PO 0.022uF 100V ±10%
C820	5600-B681FD-00	CE 680PF 50V ±10%
C821	5600-C682GD-00	PO 0.0068uF 100V ±10%
C822	5600-C222GD-00	PO 0.0022uF 100V ±10%
C823	5600-C222GD-00	PO 0.0022uF 100V ±10%
C824	5600-A106CE-00	EL 10uF 16V ±20%
C825	5600-A106CE-00	EL 10uF 16V ±20%
C826	5600-C332GD-00	PO 0.0033uF 100V ±10%
C827	5600-A106CE-00	EL 10uF 16V ±20%
C828	5600-A106CE-00	EL 10uF 16V ±20%
C829	5600-B331FC-00	CE 330PF 50V ±5%
C830	5600-A227CE-00	EL 220uF 16V ± 20%
C831	5600-A225FE-00	EL 2.2uF 50V ±20%
C832	5600-A225FE-00	EL 2.2uF 50V ±20%
C833	5600-A106CE-00	EL 10uF 16V ±20%
C834	5600-A225FE-00	EL 2.2uF 50V ±20%
C835	5600-C332GD-00	PO 0.0033uF 100V ±10%
C836	5600-A225FE-00	EL 2.2uF 50V ±20%

ELECTRICAL PARTS LIST (B)

SYMBOL NO.	PARTS NO.	DESCRIPTION
Capacitors		
C837	5600-A225FE-00	EL 2.2uF 50V ±20%
C838	5600-A225FE-00	EL 2.2uF 50V ±20%
C839	5600-A475DE-00	EL 4.4uF 25V ±20%
C840	5600-A475DE-00	EL 4.4uF 25V ±20%
C841	5600-A477CE-00	EL 470uF 16V ±20%
C842	5600-A224FE-00	EL 0.22uF 50V ±20%
C843	5600-C103GD-00	PO 0.01uF 100V ±10%
C844	5600-C473GD-00	PO 0.047uF 100V ±10%
C845	5600-A224FE-00	EL 0.22uF 50V ±20%
C846	5600-B103FH-00	CE 0.01uF 50V +80% -20%
C847	5600-A225FE-00	EL 2.22uF 50V ±20%
C848	5600-A225FE-00	EL 2.22uF 50V ±20%
C849	5600-A106CE-00	EL 10uF 16V ±20%
C850	5600-B151FC-00	CE 150PF 50V 55%
C851	5810-5680FC-00	TC 68pF 50V ±5%
C852	5600-B203FH-00	CE 0.02uF 50V +80% -20%
C853	5600-B331FC-00	CE 330PF 50V ±5%
C854	5600-A474FE-00	EL 0.47uF 50V ±20%
C901	5600-B103FH-00	CE 0.01uF 50V +80% -20%
C902	5600-B103FH-00	CE 0.01uF 50V +80% -20%
C903	5600-B103FH-00	CE 0.01uF 50V +80% -20%
C904	5600-B103FH-00	CE 0.01uF 50V +80% -20%
C1401	5600-C223GD-00	PO 0.022uF 100V ±10%
C1402	5600-A226CE-00	EL 22uF 16V ±20%
C1403	5600-B270FC-00	CE 27PF 50V ±5%
C1404	5600-B180FC-00	CE 18PF 50V ±5%
C1405	5600-B150FC-00	CE 15PF 50V ±5%
C1406	5600-A105FE-00	EL 1uF 50V ±20%
C1407	5600-A225FE-00	EL 2.2uF 50V ±20%
C1408	5600-A106FE-00	EL 10uF 16V ±20%
C1409	5600-B151FC-00	CE 150F 50V ±5%
C1410	5600-A107BE-00	EL 100uF 10V ±20%
C1411	5600-B104FH-00	CE 0.1uF 50V +80% -20%
C1412	5600-A226CE-00	EL 22uF 16V ±20%
C1413	5600-C473GD-00	PO 0.047uF 100V ±10%
C1414	5600-C473GD-00	PO 0.047uF 100V ±10%

SYMBOL NO.	PARTS NO.	DESCRIPTION
Capacitors		
C1419	5600-B471FC-00	CE 470PF 50V ±5%
C1420	5600-C223GD-00	PO 0.022uF 100V ±10%
C1421	5600-B271FC-00	CE 270PF 50V ±5%
C1422	5600-B101FC-00	CE 100PF 50V ±5%
C1423	5600-B271FC-00	CE 270PF 50V ±5%
C1424	5600-C683GD-00	PO 0.068uF 100V ±10%
C1425	5600-B104FH-00	CE 0.1uF 50V +80% -20%
C1426	5600-B103FH-00	CE 0.01uF 50V +80% -20%
C1428	5600-A226CE-00	EL 22uF 16V ±20%
C1429	5600-B100FC-00	CE 10F 16V ±20%
C1430	5600-A226CE-00 5504-A2010B-00	EL 22uF 16V ±20% Trimmer Capacitor 20PF
VC1401		
Coil & Transformer		
L002	5810-01012A-AA	Peaking Coil 100uH
L101	5810-01005A-AA	Peaking Coil 5.6uH
L102	5810-01008A-AA	Peaking Coil 15uH
L103		
L104	5810-01006A-AA	Peaking Coil 8.2uH
L105	5801-10002A-AA	PIF DET Coil
L106	5801-10001A-AA	PIF Matching Coil
L107	5801-10001A-AA	PIF Matching Coil
L108	5801-10001A-AA	PIF Matching Coil
L109	5801-10002A-AA	PIF DET Coil
L110	5810-01005A-AA	Peaking Coil 5.6uH
L111	5810-01008A-AA	Peaking Coil 15uH
L112	5801-10022A-AA	PIF Trap Coil
L113	5801-10022A-AA	PIF Trap Coil
L114	5810-01012A-AA	Peaking Coil 100uH
L201	5801-10021A-AA	Discri Burst Coil
L202	5801-10021A-AA	Discri Burst Coil
L203	5801-10012A-AA	Delay Line Matching Coil
L204	5810-01006A-AA	Peaking Coil 8.2uH
L205	5810-10006A-AA	Bell Filter Coil
L206	5810-01013A-AA	Peaking Coil 39uH
L207	5801-10007A-AA	Ident Coil
L208	5810-01012A-AA	Peaking Coil 100uH
L301	5808-05004A-AA	Horizontal Linearity Coil
L302	5813-05008A-AA	Horizontal Linearity Coil
L601	5801-10011A-AA	Choke Coil 90uH
L602	5806-02003A-AA	Choke Coil 5uH
L603	5807-08011A-AA	Deguassing Coil
L801	5801-10020A-AA	SIF DET Coil
C1415	5600-B561FC-00	CE 560PF 50V ±10%
C1416	5600-C103GD-00	PO 0.01uF 100V ±10%
C1417	5600-B150FC-00	CE 15PF 50V ±5%
C1418	5600-B102FD-00	CE 0.001uF 50V ±10%

ELECTRICAL PARTS LIST (B)

SYMBOL NO.	PARTS NO.	DESCRIPTION	SYMBOL NO.	PARTS NO.	DESCRIPTION
Coil & Transformer			Switches		
L802	5801-10001A-AA	PIF Matching Coil	SW601	6114-020203-LA	Power Switch
L803	5810-01016A-AA	Peaking Coil 1mH	SW602	6106-040201-AA	Speaker Switch 4P2T
L804	5810-10003A-AA	5.7MHz DET Coil	SW603	7202-14001F-00	Speaker Push 4P
L901	5810-01015A-AA	Choke Coil 56uH	Connectors & Connector Assemblies		
L902	5810-01015A-AA	Choke Coil 56uH	Socket A	6005-01001F-00	Taiko Connector (1 pin) X2
L903	5810-01015A-AA	Choke Coil 56uH	Socket A'	6005-01001F-00	Taiko Connector (1 pin) X2
L1401	5805-01010A-AA	Peaking Coil 33uH	Socket B	6005-01001F-00	Taiko Connector (1 pin) X2
L1402	5805-01008A-AA	Peaking Coil 15uH	Socket C	6003-01002A-00	SMK-2 pins Ass'y
L1403	5805-01010A-AA	Peaking Coil 33uH	Socket C'	6005-01002A-00	2 pins Ass'y
T301	5901-04001A-AA	Horizontal Drive Transformer	Socket D	6003-01003A-00	SMK-3 pins Wafer
T302	5902-05019A-AA	Flyback Transformer	Socket E	6003-01004A-00	SMK-4 pins Ass'y
T601	5807-06002A-AA	AC Line Filter	Socket F	6005-01005A-00	5 pins Ass'y
T602	5906-01009A-AA	Power Transformer	Socket G	6005-01003A-00	Taiko Connector (3 pins)
T603	5910-06003A-AA	Switching Transformer TS4785	Socket G'	6005-01003A-00	Taiko Connector (3 pins)
P.C. Boards			Socket I	6005-01010A-00	Taiko Connector (10 pins)
PCB001	5701-B2833A-03	Main P.C. Board	Socket J	6005-01012A-00	Taiko Connector (12 pins)
PCB002	5701-B2833C-08	Control P.C. Board	Socket K	6003-01006A-00	SMK-6 pins Wafer
PCB003	5701-B2833B-00	CRT P.C. Board	Socket L	6005-01003A-00	Taiko Connector (3 pins)
PCB004	5701-B2833D-50	Power Supply P.C. Board	Socket N	6005-01005A-00	Taiko Connector (5 pins)
PCB005	5702-B2833E-00	Transmitter P.C. Board	Socket O	6005-01005A-00	Taiko Connector (5 pins)
PCB006	5701-B2833F-00	Headphone P.C. Board	CRT GND	6005-01001F-00	Taiko Connector
PCB007	5701-B2833G-03	Teletext P.C. Board	CRT	7201-06004B-00	Picture Tube Socket
PCB008	5701-B2833H-00	Audio Out P.C. Board	Socket		
Switches			Plug A	7405-005300-00	Taiko Connector (2 pins)
SW401	6106-010207-AA	1P2T Switch	Plug A'	7405-005400-00	Taiko Connector (2 pins)
SW402	6106-010207-AA	1P2T Switch	Plug D	7402-000700-00	5 pins Ass'y
SW403	6112-010101-AA	Single Key Push Switch	Plug E	7402-000800-00	SMK-Connector (4 pins)
SW404	6112-010101-AA	Single Key Push Switch	Plug F	7405-005500-00	Taiko Connector (5 pins)
SW405	6112-010101-AA	Single Key Push Switch	Plug G	7405-008200-00	Taiko Connector (3 pins X 2)
SW406	6112-010101-AA	Single Key Push Switch	Plug I	7405-005100-00	Taiko Connector (10 pins)
SW407	6112-010101-AA	Single Key Push Switch	Plug J	7405-005000-00	Taiko Connector (12 pins)
SW408	6112-010101-AA	Single Key Push Switch			
SW409	6112-010101-AA	Single Key Push Switch			
SW410	6112-010101-AA	Single Key Push Switch			

ELECTRICAL PARTS LIST (B)

SYMBOL NO.	PARTS NO.	DESCRIPTION
Connectors & Connector Assemblies		
Plug L	7405-005700-00	Taiko Connector (3 pins)
Plug M	7405-004900-00	Taiko Connector (5 pins)
Plug N	7405-005800-00	Taiko Connector (5 pins)
Plug O	7405-005900-00	Taiko Connector (5 pins)
CRT Ground	7405-005600-01	Taiko Connector
	7405-006000-00	Taiko Connector (2 pins)
	7402-000900-00	SMK Connector (2 pins)
Wires		
W001	6900-BM7000-1A	S1 70mm Black
W002	6900-BM7006-1A	S1 70mm Blue (O)
W003	6900-BM9004-1A	S1 90mm Yellow (K)
W004	6900-BM9004-1A	S1 90mm Yellow (M)
W005	6900-BM9004-1A	S1 90mm Yellow (T)
W006	6900-BM1113-1A	S1 110mm Orange (L)
W007	6900-BM8006-1A	S1 80mm Blue
W008	6900-BM1512-1A	S1 150mm Red (B)
W009	6900-BM1512-1A	S1 150mm Red (O)
W010	6900-BM1512-1A	S1 150mm Red (H)
W011	6900-BM1617-1A	S1 160mm Violet (N)
W012	6900-BM1810-1A	S1 180mm Black (I)
W013	6900-BM1810-1A	S1 180mm Black (II)
W014	6900-BM2215-1A	S1 220mm Green (F)
W015	6900-BM2215-1A	S1 220mm Green (U)
W016	6900-BM3011-1A	S1 300mm Brown (A)
W017	6900-BM3101-1A	S1 310mm Brown (1)
W018	6900-BM3102-1A	S1 310mm Red (2)
W019	6900-BM3103-1A	S1 310mm Orange (3)
W020	6900-BM3104-1A	S1 310mm Yellow (4)
W021	6900-BM3105-1A	S1 310mm Green (5)
W022	6900-LM3010-1A	STJ 300mm Black
W501	6900-CO4912-1A	ST 490mm Red (J1)
W502	6900-CO4914-1A	ST 490mm Yellow (J2)
W503	6900-CO4910-1A	ST 490mm Black (J3)
W701	6900-CO6002-1A	ST 60mm Red (B+)
W702	6900-CO5000-1A	ST 50mm Black (B-)
W.R.	6900-CO1012-1A	ST 100mm Red
W.L.	6900-CO1019-1A	ST 100mm White
W.G.	6900-CO1010-1A	ST 100mm Black
W901	6900-CO8000-1A	ST 80mm Black (SP)
W902	6900-CO8000-1A	ST 80mm Black (SP)
W903	6900-CO8009-1A	ST 80mm White (SP)

SYMBOL NO.	PARTS NO.	DESCRIPTION
Wires		
W904	6900-CO8002-1A	ST 80mm Red (SP)
Miscellaneous		
X701	6301-5003CA-03	Ceramic Resonator 500 KHz
X1401	6307-6004AA-00	Crystal 6,000,000 Hz
X1402	6307-1385AA-00	Crystal 13,875,000 Hz
CF001	6304-4004AA-00	Crystal 4.00 MHz
CF101	6301-5504CB-00	Ceramic Filter 5.5 MHz
CF102	6301-5504CB-00	Ceramic Filter 6.5-MHz
CF103	6301-5744CB-00	Ceramic Filter 5.74 MHz
CF201	6301-5003CA-00	Ceramic Resonator 500 KHz
CF202	6303-4434AA-00	Crystal 4.433618 MHz
CF203	6301-5003CA-02	Ceramic Resonator 500 KHz
CF801	6301-5504CB-00	Ceramic Resonator 5.5 KHz
CF802	6301-5744CB-00	Ceramic Filter 5.74 MHz
U001	6406-040902-00	Tuner
SAWF01	6709-010100-00	TV PIF Saw Filter
DL201	5801-07001A-AA	Y-Delay Line
DL202	6703-030100-00	Ultrasonic Delay Line Alternate
F601	7103-315001-00	Fuse T3.15A 250V
	7203-07001A-00	Fuse Holder
	6902-AK2620-FA	AC Line Cord 2.6M N/1391/SP501
	6711-050200-00	Power Relay VDE/BS 250V
J1	7201-04002F-02	Pin Jack V Type (Red)
J2	7201-04002F-09	Pin Jack V Type (White)
	7201-04003F-00	Earth Terminal
	7201-12002E-00	Scart Socket (21 pins Connector)
E901	7201-03003F-00	Headphone Jack
SP901	6203-01012A-00	Speaker 8ohm 5"
	6208-02003A-02	Piezo Tweeter
CRT	7001 66117A-AA	Color Picture Tube

WARNING: BEFORE SERVICING THIS CHASSIS, READ THE "X-RAY RADIATION PRECAUTION", "SAFETY PRECAUTION" AND "PRODUCT SAFETY NOTICE" ON PAGE 2 OF THIS MANUAL.

CAUTION: The shaded areas in the schematic diagram and the parts list designate components which have special characteristics important for safety and should be replaced only with types identical to those in the original circuit or specified in the parts list. Before replacing any of these components read carefully the PRODUCT SAFETY NOTICE on page 2. Do not degrade the safety of the receiver through improper servicing.

ABBREVIATIONS

RESISTORS:

- CF — Carbon Film Resistor
- CC — Carbon Composition Resistor
- MF — Metal Film Resistor
- MO — Metal Oxide Resistor
- FU — Fusible Resistor
- NI — Non-Inflammable Resistor
- SF — Semi-fixed Resistor

Wire:

- SI — Single Jumper Wire AWG 22 (UL1007)
- STJ — Strand Jumper Wire AWG 22 (UL1007)
- ST — Strand Jumper Wire AWG 24 (UL1007)

CAPACITORS:

- CE — Ceramic Capacitor
- PO — Polyester Film Capacitor
- PP — Polypropylene Film Capacitor
- EL — Electrolytic Capacitor
- TC — Temperature Compensating Capacitor
- MP — Metal Polyester Film Capacitor
- AC — AC Capacitor

Remark:

- 1) All resistors are 1/4W, ±5% unless otherwise noted.
- 2) All capacitors are 50 WV capacitor unless otherwise noted.

ELECTRICAL PART LIST (B)

SYMBOL NO.	PART NO.	DESCRIPTION	SYMBOL NO.	PART NO.	DESCRIPTION
C001	5600-A225FE-00	EL 2.2uF 50V ±20%	C105	5600-B102FD-00	CE 1000PF 50V ±10%
C002	5600-B104FH-00	CE 0.01uF 50V +80-20%	C106	5600-A226CE-00	EL 22uF 16V ±20%
C002	5600-A105FE-00	EL 1uF 50V ±20%	C107	5600-B104FH-00	CE 0.01uF 50V +80-20%
C003	5600-A105FE-00	EL 1uF 50V ±20%	C108	5600-A107CE-00	EL 100uF 10V ±20%
C004	5600-C104GD-00	PO 0.01uF 100V ±10%	C109	5600-A105FE-00	EL 1uF 50V ±20%
C005	5600-G106CD-00	TAN 10uF 16V ±10%	C110	5600-A226CE-00	EL 22uF 16V ±20%
C006	5600-B104FH-00	CE 0.01uF 50V +80-20%	C111	5600-A227CE-00	EL 220uF 16V ±20%
C007	5650-C474GD-00	PO 0.47uF 100V ±10%	C112	5600-G106CD-00	TAN 10uF 16V ±10%
C008	5600-G106CD-00	TAN 10uF 16V ±10%	C113	5600-A475FE-00	EL 4.7uF 50V ±20%
C009	5600-A105FE-00	EL 1uF 50V ±20%	C114	5600-A476CE-00	EL 47uF 10V ±20%
C010	5600-C104GD-00	PO 0.01uF 100V ±10%	C115	5600-G106CD-00	TAN 10uF 16V ±10%
C011	5650-A227BE-00	EL 220uF 10V ±20%	C116	5600-B103FH-00	CE 0.01uF 50V +80-20%
C012	5600-A108CE-00	EL 1000uF 16V ±20%	C117	5600-B103FH-00	CE 0.01uF 50V +80-20%
C013	5600-A105FE-00	EL 1uF 50V ±20%	C118	5600-B103FH-00	CE 0.01uF 50V +80-20%
C014	5600-A105FE-00	EL 1uF 50V ±20%	C119	5600-B103FH-00	CE 0.01uF 50V +80-20%
C015	5600-A105FE-00	EL 1uF 50V ±20%	C120	5600-B020FA-00	CE 2PF 50V ±0.25pF
C016	5600-A105FE-00	EL 1uF 50V ±20%	C122	5600-B020FA-00	CE 2PF 50V ±0.25pF
C017	5600-A105FE-00	EL 1uF 50V ±20%	C123	5600-B020FA-00	CE 2PF 50V ±0.25pF
C018	5600-A105FE-00	EL 1uF 50V ±20%	C124	5600-B105FC-00	CE 12PF 50V ±10%
C019	5600-A225FE-00	EL 2.2uF 50V ±20%	C125	5650-B470FC-00	CE 47PF 50V ±5%
C020	5600-B330FC-00	CE 33PF 50V ±5%	C126	5600-A105FE-00	EL 1uF 50V ±20%
C021	5600-B330FC-00	CE 33PF 50V ±5%	C127	5600-A105FE-00	EL 1uF 50V ±20%
C023	5600-A105FE-00	EL 1uF 50V ±20%	C128	5600-B103FH-00	CE 0.01uF 50V +80-20%
C024	5600-A107BE-00	EL 100uF 10V ±20%	C129	5600-A107CE-00	EL 100uF 10V ±20%
C025	5600-A477CF-00	EL 470uF 16V ±10%	C130	5650-B470FC-00	CE 47PF 50V ±5%
C026	5600-G106CD-00	TAN 10uF 16V ±10%	C131	5600-G106CD-00	TAN 10uF 16V ±10%
C101	5600-B103FH-00	CE 0.01uF 50V +80-20%	C201	5600-A476CE-00	EL 47uF 10V ±20%
C102	5600-B103FH-00	CE 0.01uF 50V +80-20%	C202	5600-B181FC-00	CE 180PF 50V ±5%
C103	5600-B103FH-00	CE 0.01uF 50V +80-20%	C203	5600-B103FH-00	CE 0.01uF 50V +80-20%
C104	5600-B203FH-00	CE 0.02uF 50V +80-20%	C204	5600-A474FE-00	EL 0.47uF 50V ±20%

ELECTRICAL PART LIST (B)

SYMBOL NO.	PART NO.	DESCRIPTION
C205	5600-A474FE-00	EL 0.47uF 50V ±20%
C206	5600-A477CE-00	EL 470uF 16V ±20%
C207	5600-A474FE-00	EL 0.47uF 50V ±20%
C208	5600-B103FH-00	CE 0.01uF 50V +80-20%
C209	5600-G106CD-00	TAN 10uF 16V ±10%
C210	5600-A474FE-00	EL 0.47uF 50V ±20%
C211	5600-B103FH-00	CE 0.01uF 50V +80-20%
C212	5600-B103FH-00	CE 0.01uF 50V +80-20%
C213	5600-C224GD-00	PO 0.022uF 100V ±10%
C214	5600-C224GD-00	PO 0.022uF 100V ±10%
C215	5600-C224GD-00	PO 0.022uF 100V ±10%
C216	5600-G106CD-00	TAN 10uF 16V ±10%
C217	5600-B224FH-00	CE 0.22uF 50V +80-20%
C218	5600-B224FH-00	CE 0.22uF 50V +80-20%
C219	5600-B224FH-00	CE 0.22uF 50V +80-20%
C220	5600-A476CE-00	EL 47uF 10V ±20%
C221	5600-B103FH-00	CE 0.01uF 50V +80-20%
C222	5600-B102FD-00	CE 1000PF 50V ±10%
C223	5650-C183GD-00	PO 0.018uF 100V ±10%
C224	5600-C223GD-00	PO 0.022uF 100V ±10%
C225	5600-A225FE-00	EL 2.2uF 50V ±20%
C226	5650-C223GD-00	PO 0.022uF 100V ±10%
C227	5600-B241FC-00	CE 240PF 50V ±5%
C228	5600-B102FD-00	CE 1000PF 50V ±10%
C229	5600-A225FE-00	EL 2.2uF 50V ±20%
C230	5600-B181FC-00	CE 180PF 50V ±5%
C231	5600-B181FC-00	CE 180PF 50V ±5%
C232	5600-B181FC-00	CE 180PF 50V ±5%
C233	5610-J200FC-00	TC 20PF 50V ±5%
C234	5610-J680FC-00	TC 68PF 50V ±5%
C237	5610-J680FC-00	TC 68PF 50V ±5%
C238	5610-J200FC-00	TC 20PF 50V ±5%
C240	5600-A477CE-00	EL 470uF 16V ±20%
C241	5600-B103FH-00	CE 0.01uF 50V +80-20%
C242	5600-B103FH-00	CE 0.01uF 50V +80-20%
C243	5600-B103FH-00	CE 0.01uF 50V +80-20%
C244	5600-B103FH-00	CE 0.01uF 50V +80-20%
C245	5600-A474FE-00	EL 0.47uF 50V ±20%
C246	5600-B103FH-00	CE 0.01uF 50V +80-20%
C247	5600-B103FH-00	CE 0.01uF 50V +80-20%
C248	5600-B180FC-00	CE 18PF 50V ±5%
C249	5600-B100FC-00	CE 10PF 50V ±5%
C250	5600-B100FC-00	CE 10PF 50V ±5%
C251	5600-C563GD-00	PO 0.056uF 100V ±10%
C252	5600-C563GD-00	PO 0.056uF 100V ±10%
C253	5600-B103FH-00	CE 0.01uF 50V +80-20%
C254	5600-B151FC-00	CE 150PF 50V ±5%
C255	5600-B220FC-00	CE 22PF 50V ±5%
C256	5600-B103FH-00	CE 0.01uF 50V +80-20%
C257	5600-L225FE-00	EL 2.2uF 50V ±20%
C258	5600-B390FC-00	CE 39PF 50V ±5%
C259	5601-A105FD-00	EL 1uF 50V ±10%
C261	5600-B472MD-00	CE 0.0047uF 500V ±10%
C262	5600-A475FE-00	EL 4.7uF 50V ±20%
C264	5600-B102FD-00	CE 1000PF 50V ±10%
C265	5600-B331FC-00	CE 330PF 50V ±5%
C266	5600-B102FD-00	CE 1000PF 50V ±10%
C267	5600-A474FE-00	EL 0.47uF 50V ±20%
C268	5600-A105FE-00	EL 1uF 50V ±20%
C269	5600-A474FE-00	EL 0.47uF 50V ±20%
C270	5600-G106CD-00	TAN 10uF 16V ±10%

SYMBOL NO.	PART NO.	DESCRIPTION
C271	5600-A225FE-00	EL 2.2uF 50V ±20%
C272	5600-A226CE-00	EL 22uF 16V ±20%
C274	5600-A107CE-00	EL 100uF 10V ±20%
C275	5600-G106CD-00	TAN 10uF 16V ±10%
C276	5600-B220FC-00	CE 22PF 50V ±5%
C277	5600-A226CE-00	EL 22uF 16V ±20%
C278	5600-B403FH-00	CE 0.04uF 50V +80-20%
C279	5600-A476CE-00	EL 4.7uF 10V ±20%
C280	5600-B560FC-00	CE 56PF 50V ±5%
C301	5600-B203FH-00	CE 0.02uF 50V +80-20%
C302	5600-C102GD-00	PO 0.001uF 100V ±10%
C303	5600-C104GD-00	PO 0.01uF 100V ±10%
C304	5600-A337EE-00	EL 330uF 35V ±20%
C305	5600-A228EE-00	EL 2200uF 25V ±20%
C306	5601-A225FD-00	EL 2.2uF 50V ±10%
C307	5601-A338DE-00	EL 330uF 25V ±20%
C308	5600-B681MD-00	CE 680PF 500V ±10%
C309	5600-B681MD-00	CE 680PF 500V ±10%
C310	5650-A108DE-00	EL 1000uF 25V ±20%
C312	5615-D222OD-00	PP 0.0022uF 630V ±10%
C313	5615-D474ID-00	PP 0.47uF 200V ±10%
C314	5600-C104GD-00	PO 0.01uF 100V ±10%
C316	5607-E332TC-00	PP 0.0033uF 20000 ±5%
C317	5600-B681MD-00	CE 680PF 500V ±10%
C318	5601-A106KG-00	EL 10uF 250V ±20%
C319	5615-D563ID-00	PP 0.056uF 200V ±10%
C321	5615-D274LC-00	PP 0.27uF 400V ±5%
C322	5600-A107HG-00	EL 100uF 160V +50-10%
C330	5607-E722TC-00	PP 0.0072uF 20000V ±5%
C331	5615-D333LC-00	PP 0.033uF 400V ±5%
C332	5600-A475FE-00	EL 4.7uF 50V ±20%
C333	5600-A106FE-00	EL 10uF 16V ±20%
C401	5600-B104FH-00	CE 0.01uF 50V +80-20%
C402	5600-C223GD-00	PO 0.022uF 100V ±10%
C404	5600-A476BE-00	EL 47uF 10V ±20%
C405	5600-C233GD-00	PO 0.022uF 100V ±10%
C501	5600-B150FC-00	CE 12PF 50V ±10%
C502	5600-B220FC-00	CE 22PF 50V ±5%
C503	5650-B680FC-00	CE 68PF 50V ±5%
C504	5600-B103FH-00	CE 0.01uF 50V +80-20%
C505	5600-B104FH-00	CE 0.01uF 50V +80-20%
C506	5600-A106CE-00	EL 10uF 16V ±20%
C507	5600-A107CE-00	EL 100uF 10V ±20%
C508	5600-A474FE-00	EL 0.47uF 50V ±20%
C509	5600-A472RD-00	CE 0.0047uF 500V ±10%
C601	5607-E474WE-00	PP 0.47uF 250V ±20%
C602	5615-E105WE-00	PP 1uF 250V ±20%
C603	5600-B472RD-00	CE 0.0047uF 500V ±10%
C604	5600-B472RD-00	CE 0.0047uF 500V ±10%
C605	5600-B472RD-00	CE 0.0047uF 500V ±10%
C606	5600-A227LG-00	EL 220uF 400V +50-10%
C607	5600-C333GD-00	PO 0.033uF 100V ±10%
C608	5600-A106FE-00	EL 10uF 16V ±20%
C609	5600-C104GD-00	PO 0.01uF 100V ±10%
C610	5600-A476DE-00	EL 47uF 10V ±20%
C611	5615-E222RD-00	PP 0.0022uF 1.2KV ±10%
C612	5605-F222XE-00	AC 0.0022uF 400V ±20%
C613	5600-B681MD-00	CE 680PF 500V ±10%
C614	5600-B472RD-00	CE 0.0047uF 500V ±10%
C615	5600-A338DE-00	EL 330uF 25V ±20%
C616	5600-A107HG-00	EL 100uF 160V +50-10%

ELECTRICAL PART LIST (B)

SYMBOL NO.	PART NO.	DESCRIPTION
C617	5600-A228DE-00	EL 2200uF 25V ±20%
C618	5605-F222XE-00	AC 0.0022uF 400V ±20%
C620	5600-A226CE-00	EL 22uF 16V ±20%
C621	5600-A476CE-00	EL 47uF 10V ±20%
C622	5600-A476CE-00	EL 47uF 10V ±20%
C625	5600-A228DE-00	EL 2200uF 25V ±20%
C626	5600-A228DE-00	EL 2200uF 25V ±20%
C627	5600-A106FE-00	EL 10uF 16V ±20%
C632	5600-A105FE-00	EL 1uF 50V ±20%
C701	5600-B101FC-00	CE 100PF 50V ±5%
C702	5600-B101FC-00	CE 100PF 50V ±5%
C703	5600-A107BE-00	EL 100uF 10V ±20%
C801	5600-B103FH-00	CE 0.01uF 50V +80-20%
C802	5600-B107CE-00	EL 100uF 10V ±20%
C803	5600-B103FH-00	CE 0.01uF 50V +80-20%
C804	5600-B050FA-00	CE 5uF 50V ±0.25pF
C805	5600-B103FH-00	CE 0.01uF 50V +80-20%
C806	5610-J680FC-00	TC 68PF 50V ±5%
C808	5600-B103FH-00	CE 0.01uF 50V +80-20%
C809	5600-A107CE-00	EL 100uF 10V ±20%
C810	5600-B103FH-00	CE 0.01uF 50V +80-20%
C812	5600-B050FA-00	CE 5PF 50V ±0.25pF
C813	5600-B103FH-00	CE 0.01uF 50V +80-20%
C814	5610-J680FC-00	TC 68PF 50V ±5%
C815	5650-C474GD-00	PO 0.47uF 100V ±10%
C816	5600-A475FE-00	EL 4.7uF 50V ±20%
C817	5600-A224FE-00	EL 0.22uF 50V ±20%
C818	5600-A475FE-00	EL 4.7uF 50V ±20%
C821	5600-C682GD-00	PO 0.0068uF 100V ±10%
C822	5600-C102GD-00	PO 0.001uF 100V ±10%
C823	5600-A476CE-00	EL 47uF 10V ±20%
C824	5650-C474GD-00	PO 0.47uF 100V ±10%
C825	5600-C224GD-00	PO 0.022uF 100V ±10%
C826	5600-C104GD-00	PO 0.01uF 100V ±10%
C826	5650-C332GD-00	PO 0.0033uF 100V ±10%
C827	5600-C224GD-00	PO 0.022uF 100V ±10%
C828	5600-C104GD-00	PO 0.01uF 100V ±10%
C829	5650-C474GD-00	PO 0.47uF 100V ±10%
C830	5600-A475FE-00	EL 4.7uF 50V ±20%
C831	5600-A107CE-00	EL 100uF 10V ±20%
C832	5600-A475FE-00	EL 4.7uF 50V ±20%
C833	5600-A475FE-00	EL 4.7uF 50V ±20%
C834	5600-A475FE-00	EL 4.7uF 50V ±20%
C835	5650-C332GD-00	PO 0.0033uF 100V ±10%
C836	5600-A475FE-00	EL 4.7uF 50V ±20%
C837	5600-A475FE-00	EL 4.7uF 50V ±20%
C838	5600-A475FE-00	EL 4.7uF 50V ±20%
C839	5600-A475FE-00	EL 4.7uF 50V ±20%
C840	5600-A475FE-00	EL 4.7uF 50V ±20%
C841	5600-A477CE-00	EL 470uF 16V ±20%
C842	5600-A224FE-00	EL 0.22uF 50V ±20%
C843	5600-A475FE-00	EL 4.7uF 50V ±10%
C844	5600-A475FE-00	EL 4.7uF 50V ±20%
C845	5600-A224FE-00	EL 0.22uF 50V ±20%
C846	5600-B103FH-00	CE 0.01uF 50V +80-20%
C847	5600-A225FE-00	EL 2.2uF 50V ±20%
C848	5600-A475FE-00	EL 4.7uF 50V ±20%
C849	5600-B203FH-00	CE 0.02uF 50V +80-20%
C850	5600-B151FC-00	CE 150PF 50V ±5%
C851	5610-J680FC-00	TC 68PF 50V ±5%
C852	5600-B203FH-00	CE 0.02uF 50V +80-20%

SYMBOL NO.	PART NO.	DESCRIPTION
C853	5600-B331FC-00	CE 330PF 50V ±5%
C854	5600-A474FE-00	EL 0.47uF 50V ±20%
C901	5600-B103FH-00	CE 0.01uF 50V +80-20%
C902	5600-B103FH-00	CE 0.01uF 50V +80-20%
C903	5600-B103FH-00	CE 0.01uF 50V +80-20%
C904	5600-B103FH-00	CE 0.01uF 50V +80-20%
C1401	5600-C223GD-00	PO 0.022uF 100V ±10%
C1402	5600-A226CE-00	EL 22uF 16V ±20%
C1403	5600-B270FC-00	CE 27PF 50V ±5%
C1404	5600-B180FC-00	CE 18PF 50V ±5%
C1405	5600-B150FC-00	CE 12PF 50V ±10%
C1406	5600-A105FE-00	EL 1uF 50V ±20%
C1407	5600-A225FE-00	EL 2.2uF 50V ±20%
C1408	5600-A106CE-00	EL 10uF 16V ±20%
C1409	5600-B151FC-00	CE 150PF 50V ±5%
C1410	5600-A107BE-00	EL 100uF 10V ±20%
C1411	5600-B104FH-00	CE 0.01uF 50V +80-20%
C1412	5600-A226CE-00	EL 22uF 16V ±20%
C1413	5600-C473GD-00	PO 0.047uF 100V ±10%
C1414	5600-C473GD-00	PO 0.047uF 100V ±10%
C1415	5600-B561FC-00	CE 560PF 50V ±5%
C1416	5600-C103GD-00	PO 0.01uF 100V ±10%
C1417	5600-B150FC-00	CE 12PF 50V ±10%
C1418	5600-B120FD-00	CE 12PF 50V ±10%
C1419	5600-B471FC-00	CE 470PF 50V ±5%
C1420	5600-C223GD-00	PO 0.022uF 100V ±10%
C1421	5600-B271FC-00	CE 270PF 50V ±5%
C1422	5600-B101FC-00	CE 100PF 50V ±5%
C1423	5600-B271FC-00	CE 270PF 50V ±5%
C1424	5600-C683GD-00	PO 0.068uF 100V ±5%
C1425	5600-B104FH-00	CE 0.01uF 50V +80-20%
C1426	5600-B103FH-00	CE 0.01uF 50V +80-20%
C1427	5650-B470FC-00	CE 47PF 50V ±5%
C1428	5600-A226CE-00	EL 22uF 16V ±20%
C1429	5600-B100FC-00	CE 10PF 50V ±5%
C1430	5600-A226CE-00	EL 22uF 16V ±20%
CF001	6304-4004AA-00	OSC-CRYSTAL 4.00MHZ
CF101	6301-5504CB-01	OSC-FILTER 5.5MHZ TPS 5.5MB
CF102	6301-6504CB-01	OSC-FILTER 6.5MHZ TPS 6.5MB
CF103	6301-5744CB-01	OSC-FILTER 5.74MHZ TPS 5.74MB2
CF201	6301-5003CA-01	OSC-RESONATOR 500KHZ CSB 503F2
CF202	6304-4434AA-00	OSC-CRYSTAL 4.43361875MHZ
CF203	6301-5003CA-02	OSC-RESONATOR 500KHZ CSB 500E5
CF801	6301-5504CB-00	OSC-FILTER 5.5MHZ SFE 5.5MB
CF802	6301-5744CB-00	OSC-FILTER 5.74MHZ SFE 5.74MB
CRT GND	005P- 2100	
	6005-01001F-00	WAFER-TS-80-METAL-PIN 1 PIN
D001	5250-04001A-00	DIODE-ZENER 5.1V-GZA 5.1Y
D002	5250-05001A-00	DIODE-SIGNAL 1N4148
D003	5250-05001A-00	DIODE-SIGNAL 1N4148
D004	5201-01003A-00	DIODE-RECTIFIER 1N4001

ELECTRICAL PART LIST (B)

SYMBOL NO.	PART NO.	DESCRIPTION
D005	5250-05001A-00	DIODE-SIGNAL 1N4148
D006	5250-04015A-00	DIODE-ZENER 24.0V MTZ 24D
D007	5250-04002A-00	DIODE-ZENER 6.2V GZA 6.2Y
D1402	5250-05001A-00	DIODE-SIGNAL 1N4148
D1403	5203-04012A-00	DIODE-ZENER 5.6V GZA 5.6Y
D201	5250-04003A-00	DIODE-ZENER 7.5V GZA 7.5Y
D202	5250-04003A-00	DIODE-ZENER 7.5V GZA 7.5Y
D203	5250-04014A-00	DIODE-ZENER 20.0V MTZ 20C
D204	5250-05001A-00	DIODE-SIGNAL 1N4148
D205	5250-05001A-0	DIODE-SIGNAL 1N4148
D206	5250-05001A-00	DIODE-SIGNAL 1N4148
D207	5201-01001A-00	DIODE-RECTIFIER 1N4004S
D208	5250-05001A-00	DIODE-SIGNAL 1N4148
D208	5201-01001A-00	DIODE-RECTIFIER 1N4004S
D209	5250-05001A-00	DIODE-SIGNAL 1N4148
D210	5250-04009A-00	DIODE-ZENER 9.1V GZA 9.1Y
D211	5250-05001A-00	DIODE-SIGNAL 1N4148
D302	5211-02009A-00	DIODE BYT52J
D303	5211-02009A-00	DIODE BYT52J
D304	5211-02009A-00	DIODE BYT52J
D305	5211-02009A-00	DIODE BYT52J
D310	5211-02011A-00	DIODE BY228-15
D311	5212-02012A-00	DIODE BY299
D312	5250-05001A-00	DIODE-SIGNAL 1N4148
D401	5250-05001A-00	DIODE-SIGNAL 1N4148
D402	5250-05001A-00	DIODE-SIGNAL 1N4148
D403	5250-05001A-00	DIODE-SIGNAL 1N4148
D404	5250-05001A-00	DIODE-SIGNAL 1N4148
D405	5250-05001A-00	DIODE-SIGNAL 1N4148
D406	5250-05001A-00	DIODE-SIGNAL 1N4148
D407	5250-05001A-00	DIODE-SIGNAL 1N4148
D408	5250-05001A-00	DIODE-SIGNAL 1N4148
D501	5250-05001A-00	DIODE-SIGNAL 1N4148
D502	5250-05001A-00	DIODE-SIGNAL 1N4148
D503	5250-05001A-00	DIODE-SIGNAL 1N4148
D601	5203-01002A-00	DIODE-BRIDGE RECT. DBA10G
D603	5250-04008A-00	DIODE-ZENER 8.2V GZA 8.2Y
D604	5250-04009A-00	DIODE-ZENER 9.1V GZA 9.1Y
D605	5211-02009A-00	DIODE BYT52J
D606	5211-02009A-00	DIODE BYT52J
D607	5211-02009A-00	DIODE BYT52J
D608	5211-02010A-00	DIODE *RG2 BYW36
D609	5211-02010A-00	DIODE *RG2 BYW36
D611	5250-05001A-00	DIODE-SIGNAL 1N4148
D612	5250-05001A-00	DIODE-SIGNAL 1N4148
D613	5201-01001A-00	DIODE-RECTIFIER 1N4004S
D701	5201-01002A-00	DIODE-RECTIFIER 1N4002
D803	5250-05001A-00	DIODE-SIGNAL 1N4148
D805	5250-05001A-00	DIODE-SIGNAL 1N4148
D808	5250-05001A-00	DIODE-SIGNAL 1N4148
D809	5250-05001A-00	DIODE-SIGNAL 1N4148

SYMBOL NO.	PART NO.	DESCRIPTION
D810	5250-05001A-00	DIODE-SIGNAL 1N4148
DL201	5801-07001A-AA	COIL-Y DELAY LINE
DL202	(6704-030200-00) 6704-030100-00	SUBASSY-UL TRASONIC D* EFD-EN645 A11G FUSE T3.15A AC250V (20X5mm)
F601	7103-315001-00	FOR CRT GND 7450-05600-01 CON. ASS'Y-350mm TS-80
GND	6900-LM3010-IA	STJ S-300mm BLACK BLACK
HSJ	0914-01-010 7204-03003F-00	JACK-HEADPHONE TC-38-009
IC001	6503-01040A-00	INTEGRATED CIRCUIT M3872IMB1
IC002	6503-00940A-00	INTEGRATED CIRCUIT M206
IC003	6503-01116A-00	INTEGRATED CIRCUIT ULN2001A
IC004	6503-01208A-00	INTEGRATED CIRCUIT LS776
IC005	6511-00302A-00	INTEGRATED CIRCUIT KA33V
IC101	6503-01324A-00	INTEGRATED CIRCUIT TDA8120
IC102	6509-00208A-00	INTEGRATED CIRCUIT TEA2014
IC1401	6508-00528A-00	INTEGRATED CIRCUIT SAA5231
IC1402	6508-00640A-00	INTEGRATED CIRCUIT SAA5243 P/E
IC1403	6514-00116A-00	INTEGRATED CIRCUIT V62C1612L
IC1403	6517-00128A-00	INTEGRATED CIRCUIT HY6264P-15
IC1404	6514-00116A-00	INTEGRATED CIRCUIT V62C1612L
IC1405	6509-00208A-00	INTEGRATED CIRCUIT TEA2014
IC201	6501-01764A-00	INTEGRATED CIRCUIT TA8659N
IC202	6506-00710A-00	INTEGRATED CIRCUIT LA7210
IC203	6503-00703A-00	INTEGRATED CIRCUIT L7812
IC301	6507-00907A-00	INTEGRATED CIRCUIT AN5521
IC401	6503-00308A-00	INTEGRATED CIRCUIT TDA2320A
IC601	6503-01312A-00	INTEGRATED CIRCUIT TDA2009A
IC701	6503-01320A-00	INTEGRATED CIRCUIT M710L
IC801	6505-00508A-00	INTEGRATED CIRCUIT uPC1391H
IC802	6505-00508A-00	INTEGRATED CIRCUIT uPC1391H
IC803	6508-00728A-00	INTEGRATED CIRCUIT TDA3803A

ELECTRICAL PART LIST (B)

SYMBOL NO.	PART NO.	DESCRIPTION	SYMBOL NO.	PART NO.	DESCRIPTION
IC804	6512-0024A-00	INTEGRATED CIRCUIT *CD4066B	L2/L3=5mm NON-TINNED	6900-BM2215-IA	SJ 220mm GREEN
IC805	6507-00812A-00	INTEGRATED CIRCUIT AN5836	L2/L3=5mm NON-TINNED	6900-BM2810-IA	ST S-280mm BLACK
ITT MSA1920P			L2/L3=5mm NON-TINNED	6900-BM3011-IA	SJ 300mm BROWN
	6114-020203-LA	SWITCH-POWER MSA1920P	L2/L3=5mm NON-TINNED	6900-BM9004-IA	SJ 90mm YELLOW
J1	7201-04002F-02	JACK-PIN V-TYPE RED JP J0328-01-020	L2/L3=5mm NON-TINNED	6900-BM3011-IA	SJ 300mm BROWN
J2	7201-04002F-09	JACK-PIN V-TYPE WHITE JP J0328-01-030	L2/L3=5mm NON-TINNED	6900-BM7006-IA	ST 70mm BLUE
L002	5810-01012A-AA	COIL-PEAKING 100 uH EC36T-101K	L2/L3=5mm NON-TINNED	6900-BM1512-IA	SJ 150mm RED
L101	5810-01005A-AA	COIL-PEAKING 5.6 uH EC36T-5R6M	L2/L3=5mm NON-TINNED	6900-BM2513-IA	SJ S-250mm ORANGE
L102	5810-01008A-AA	COIL-PEAKING 15 uH EC36T-150K	L2/L3=5mm NON-TINNED	6900-BM8006-IA	ST S-80mm BLUE
L104	5810-01006A-AA	COIL-PEAKING 8.2 uH ECE36T-8R2M	L301	5808-05004A-AA	COIL-H. WIDTH
L105	5801-10002A-AA	COIL-PIF DET	L302	5813-05008A-AA	COIL-H. WIDTH
L106	5801-10001A-AA	COIL-PIF MATCHING	L601	5801-10011A-AA	COIL-CHOKE 90 uH
L107	5801-10001A-AA	COIL-PIF MATHING	L602	5806-02003A-AA	COIL-CHOKE 5 uH
L108	5801-10001A-AA	COIL-PIF MATCHING	L801	5801-10020A-AA	COIL-SIF DET
L109	5801-10002A-AA	COIL-PIF DET	L802	5801-10020A-AA	COIL-SIF DET
L110	5810-01005A-AA	COIL-PEAKING 5.6 uH EC36T-5R6M	L803	5801-02007A-AA	COIL-CHOKE 15 mH
L111	5810-01008A-AA	COIL-PEAKING 15 uH EC36T-150K	L804	5801-10003A-AA	COIL-SIF DET
L112	5801-10022A-AA	COIL-PIF TRAP 51M7L	L805	5801-10028A-AA	COIL-AM DEMODULATOR L=1.5 mH
L113	5801-10022A-AA	COIL-PIF TRAP 51M7L	L901	5850-01015A-AA	COIL-PEAKING 56 uH EC36T-560K
L114	5810-01012A-AA	COIL-PEAKING 100 uH EC36T-101K	L902	5850-01015A-AA	COIL-PEAKING 56 uH EC36T-560K
L1401	5805-01010A-AA	COIL-PEAKING 33 uH EC36T-330K	L903	5850-01015A-AA	COIL-PEAKING 56 uH EC36T-560K
L1402	5805-01008AA-AA	COIL-PEAKING 15 uH EC36T-150K	LD701	6601-E00100-00	LED INFRARED TLN105
L1403	5805-01010A-AA	COIL-PEAKING 33 uH EC36T-330K	LD702	6601-E00100-00	LED INFRARED TLN105
L201	5801-10021A-AA	COIL-DISCRI BURST	LED4016601-A00100-00	LED RED 2X5mm TLR208	
L202	5801-10021A-AA	COIL-DISCRI BURST	LED4026601-A00100-00	LED RED 2X5mm TLR208	
L203	5801-10012A-AA	COIL-DELAY LINE MATCHING	LED4036603-H00200-00	LED 3 DIGIT COM-564H	
L204	85100-01006A-AA	COIL-PEAKING 8.2 uH EC36T-8R2M	LED4056601-F00100-00	LED SILICON PHOTO TPS703	
L205	5801-10006A-AA	COIL-BELL FILTER	LSC-109	5807-08011A-AA	COIL-DEGUASSING LSC109
L206	5810-01013A-AA	COIL-PEAKING 39 uH EC36T-390K	PLUG A	7405-005400-00	CON.ASS'Y-900mmX2 BROTS-80
L207	5801-10007A-AA	COIL-IDENT	PLUG A	7405-005300-00	CON.ASS'Y-900mmX2 BLUTS-80
L208	8510-01012A-AA	COIL-PEAKING 100 uH EC36T-101K	PLUG D	7402-000700-00	CON.ASS'Y-500+5mmX2 TINNED
L2/L3=5mm NON-TINNED	6900-BM2215-IA	SJ 220mm GREEN GREEN	PLUG E	7402-000800-00	CON.ASS'Y-900+7mmX2 NON.TINNED
L2/LE=5mm NON-TINNED	7405-006400-00	CON.ASS'Y-5P+5P W/WIRE	PLUG F	7405-00500-00	CON.ASS'Y-900mmX5 TL- 25H
L2/L3=5mm NON-TINNED	5900-BM1810-IA	SJ 180mm BLACK	PLUG G	7405-008200-00	CON.ASS'Y-380mmX3 D.STLB-P+TL-25(3+4)
L2/L3=5mm NON-TINNED	6900-BM2817-IA	SJ 280mm VIOLET			
L2/L3=5mm NON-TINNED	5900BM7000-IA	STW 70mm BLACK			

ELECTRICAL PART LIST (B)

SYMBOL NO.	PART NO.	DESCRIPTION
PLUG L	7405-005700-00	CON.ASS'Y-200mm X3 TL-25H
PLUG M	7405-004900-00	CON.ASS'Y-610.590 X 2.6TLB-P
PLUG N	7405-005800-00	CON.ASS'Y-340mm X5 TL-25H
PLUG O	7405-005900-00	CON.ASS'Y-280mm X5 TL-25H
Q001	5101-A00704-00	TRANSISTOR 2SA950-Y
Q002	5101-A00704-00	TRANSISTOR 2SA950-Y
Q003	5101-A00704-00	TRANSISTOR 2SA950-Y
Q004	5101-A00404-00	TRANSISTOR 2SA1015-Y
Q005	5101-A00404-00	TRANSISTOR 2SA1015-Y
Q006	5101-A00404-00	TRANSISTOR 2SA1015-Y
Q007	5101-D00503-00	TRANSISTOR 2SD1052-A
Q008	5101-A00404-00	TRANSISTOR 2SA1015-Y
Q101	5101-C00304-00	TRANSISTOR 2SC2216 2SC2717
Q103	5101-C00205-00	TRANSISTOR 2SC1815-Y
Q104	5101-C00205-00	TRANSISTOR 2SC1815-Y
Q1401	5101-A00404-00	TRANSISTOR 2SA1015-Y
Q1402	5101-C01305-00	TRANSISTOR 2SC1923-R
Q1403	5101-D00503-00	TRANSISTOR 2SD1052-A
Q1404	5101-C00205-00	TRANSISTOR 2SC1815-Y
Q1405	5101-C00205-00	TRANSISTOR 2SC1815-Y
Q1406	5101-C00205-00	TRANSISTOR 2SC1815-Y
Q1407	5101-C00205-00	TRANSISTOR 2SC1815-Y
Q1408	5101-A00404-00	TRANSISTOR 2SA1015-Y
Q201	5101-C00205-00	TRANSISTOR 2SC1815-Y
Q201	5101-C00205-00	TRANSISTOR 2SC1815-Y
Q301	5101-C00703-00	TRANSISTOR 2SC2068 2SC2482
Q302	5101-D00901-00	TRANSISTOR 2SD1433
Q304	5101-A00704-00	TRANSISTOR 2SA950-Y
Q305	5101-A00704-00	TRANSISTOR 2SA950-Y
Q401	5101-A00404-00	TRANSISTOR 2SA1015-Y
Q402	5101-A00404-00	TRANSISTOR 2SA1015-Y
Q403	5101-A00404-00	TRANSISTOR 2SA1015-Y
Q501	5101-C00703-00	TRANSISTOR 2SC2068 2SC2482
Q502	5101-C00703-00	TRANSISTOR 2SC2068 2SC2482
Q503	5101-C00703-00	TRANSISTOR 2SC2068 2SC2482
Q504	5101-C00703-00	TRANSISTOR 2SC2068 2SC2482
Q505	5101-C00703-00	TRANSISTOR 2SC2068 2SC2482
Q506	5101-C00703-00	TRANSISTOR 2SC2068 2SC2482
Q507	5101-A00103-00	TRANSISTOR 2SA562-TMO
Q508	5101-C00205-00	TRANSISTOR 2SC1815-Y
Q601	5101-C00205-00	TRANSISTOR 2SC1815-Y
Q602	5104-B00103-00	TRANSISTOR 2SB774-T
Q602	5101-C00205-00	TRANSISTOR 2SC1815-Y
Q604	5101-D00901-00	TRANSISTOR 2SD1433
Q605	5101-C00804-00	TRANSISTOR 2SC2230-AY

SYMBOL NO.	PART NO.	DESCRIPTION
Q606	5101-A00404-00	TRANSISTOR 2SA1015-Y
Q609	5101-A00504-00	TRANSISTOR 2SA1013-Y
Q610	5102-C00101-00	TRANSISTOR 2SC2335
Q701	5101-C00205-00	TRANSISTOR 2SC1815-Y
Q702	5101-C00904-00	TRANSISTOR 2SC2120-Y
Q801	5101-C00205-00	TRANSISTOR 2SC1815-Y
Q802	5101-C00205-00	TRANSISTOR 2SC1815-Y
Q803	5101-C00205-00	TRANSISTOR 2SC1815-Y
Q804	5101-C00205-00	TRANSISTOR 2SC1815-Y
Q805	5101-C00104-00	TRANSISTOR 2SC1923-0
Q806	5101-A00404-00	TRANSISTOR 2SA1015-Y
Q807	5101-C00205-00	TRANSISTOR 2SC1815-Y
Q808	5101-C00205-00	TRANSISTOR 2SC1815-Y
Q809	5101-A00404-00	TRANSISTOR 2SA1015-Y
R001	5400-103ADC-00	CF 10 K
R002	5400-104ADC-00	CF 100 K
R003	5400-103ADC-00	CF 10 K
R004	5400-103ADC-00	CF 10 K
R005	5400-103ADC-00	CF 10 K
R006	5400-103ADC-00	CF 10 K
R007	5400-103ADC-00	CF 10 K
R008	5400-103ADC-00	CF 10 K
R009	5400-105ADC-00	CF 1 M
R010	5400-223ADC-00	CF 22 K
R011	5400-223ADC-00	CF 22 K
R012	5400-682ADC-00	CF 6.8 K
R013	5400-101AFC-00	CF 100 Ohm
R014	5404-223DGC-00	MO 22K 1W 5%
R015	5400-821ADC-00	CF 820 Ohm
R016	5400-103ADC-00	CF 10 K
R017	5400-472ADC-00	CF 4.7 K
R018	5400-473ADC-00	CF 47 K
R019	5400-103ADC-00	CF 10 K
R020	5400-473ADC-00	CF 47 K
R021	5400-333ADC-00	CF 33 K
R022	5400-682ADC-00	CF 6.8 K
R023	5400-272ADC-00	CF 2.7 K
R024	5400-272ADC-00	CF 2.7 K
R025	5400-272ADC-00	CF 2.7 K
R026	5400-822ADC-00	CF 8.2 K
R027	5400-822ADC-00	CF 8.2 K
R028	5400-822ADC-00	CF 8.2 K
R029	5400-822ADC-00	CF 8.2 K
R030	5400-183ADC-00	CF 18 K
R031	5400-813ADC-00	CF 18 K
R032	5400-222ADC-00	CF 2.2 K
R033	5404-103DHC-00	MO 10 K 2W 5%
R034	5400-182ADC-00	CF 1.8 K
R035	5400-103ADC00	CF 10 K
R036	5400-104ADC-00	CF 100 K
R037	5400-563ADC-00	CF 56 K
R038	5400-103ADC-00	CF 10 K
R039	5400-103ADC-00	CF 10 K
R040	5400-221ADC-00	CF 220 Ohm
R041	5400-561ADC-00	CF 560 Ohm
R042	5400-221ADC-00	CF 220 Ohm
R043	5400-221ADC-00	CF 220 Ohm
R044	5400-221ADC-00	CF 220 Ohm
R045	5400-221ADC-00	CF 220 Ohm
R046	5400-221ADC-00	CF 220 Ohm
R047	5400-221ADC-00	CF 220 Ohm

ELECTRICAL PART LIST (B)

SYMBOL NO.	PART NO.	DESCRIPTION	SYMBOL NO.	PART NO.	DESCRIPTION
R048	5400-221ADC-00	CF 220 Ohm	R203	5300-561ADC-00	CF 560 Ohm
R049	5400-153ADC-00	CF 15 K	R204	5400-684ADC-00	CF 680 K
R050	5400-221ADC-00	CF 220 Ohm	R205	5400-333ADC-00	CF 33 K
R051	5400-822ADC-00	CF 8.2 K	R206	5400-563ADC-00	CF 56 K
R052	5400-222ADC-00	CF 2.2 K	R207	5400-100ADC-00	CF 10 Ohm
R101	5400-560ADC-00	CF 56 Ohm	R208	5400-182ADC-00	CF 1.8 K
R102	5400-472ADC-00	CF 4.7 K	R209	5400-152ADC-00	CF 1.5 K
R103	5400-122ADC-00	CF 1.2 K	R210	5400-222ADC-00	CF 2.2 K
R104	5400-221ADC-00	CF 220 Ohm	R211	5400-152ADC-00	CF 1.5 K
R105	5400-222ADC-00	CF 2.2 K	R212	5400-821ADC-00	CF 820 Ohm
R106	5400-220ADC-00	CF 22 Ohm	R213	5400-102ADC-00	CF 1 K
R107	5400-101ADC-00	CF 100 Ohm	R214	5400-221ADC-00	CF 220 Ohm
R108	5400-103ADC-00	CF 10 K	R215	5400-101ADC-00	CF 100 Ohm
R109	5400-123ADC-00	CF 12 K	R216	5400-151ADC-00	CF 150 Ohm
R110	5400-392ADC-00	CF 3.9 K	R217	5400-151ADC-00	CF 150 Ohm
R112	5400-475ADC-00	CF 4.7 M	R218	5400-151ADC-00	CF 150 Ohm
R113	5400-333ADC-00	CF 33 K	R219	5400-273ADC-00	CF 27 K
R114	5400-223ADC-00	CF 22 K	R220	5400-560ADC-00	CF 56 Ohm
R115	5400-151ADC-00	CF 150 Ohm	R221	65400-222ADC-00	CF 2.2 K
R116	5400-122ADC-00	CF 1.2 K	R222	5400-511ADC-00	CF 510 Ohm
R117	5400-102ADC-00	CF 1 K	R223	5400-512ADC-00	CF 5.1 K
R118	5400-750ADC-00	CF 75 Ohm	R224	5400-103ADC-00	CF 10 K
R119	5400-100ADC-00	CF 10 Ohm	R225	5400-273ADC-00	CF 27 K
R120	5400-101ADC-00	CF 100 Ohm	R226	5400-151ADC-00	CF 150 Ohm
R121	5400-222ADC-00	CF 2.2 K	R227	5400-391ADC-00	CF 390 Ohm
R122	5400-223ADC-00	CF 22 K	R228	5400-274ADC-00	CF 270 K
R123	5400-243ADC-00	CF 24 K	R229	5400-561ADC-00	CF 560 Ohm
R124	5400-243ADC-00	CF 24 K	R230	5400-822ADC-00	CF 8.2 K
R125	5400-101ADC-00	CF 100 Ohm	R231	5400-272ADC-00	CF 2.7 K
R126	5400-122ADC-00	CF 1.2 K	R232	5400-472ADC-00	CF 4.7 K
R127	5400-101ADC-00	CF 100 Ohm	R233	5400-391ADC-00	CF 390 Ohm
R128	5400-103ADC-00	CF 10 K	R234	5400-222ADC-00	CF 2.2 K
R1401	5400-103ADC-00	CF 10 K	R235	5400-394ADC-00	CF 390 K
R1402	5400-151ADC-00	CF 150 Ohm	R236	5400-102ADC-00	CF 1 K
R1403	5400-151ADC-00	CF 150 Ohm	R237	5400-821ADC-00	CF 820 Ohm
R1404	5400-103ADC-00	CF 10 K	R238	5404-220DHC-00	MO 22 K 2W 5%
R1405	5400-683ADC-00	CF 68 K	R239	5400-152ADC-00	CF 1.5 K
R1406	5400-331ADC-00	CF 330 Ohm	R240	5400-152ADC-00	CF 1.5 K
R1407	5400-821ADC-00	CF 820 Ohm	R241	5400-103ADC-00	CF 10 K
R1408	5400-471ADC-00	CF 470 Ohm	R242	5400-562ADC-00	CF 5.6 K
R1409	5400-103ADC-00	CF 10 K	R243	5400-331ADC-00	CF 330 Ohm
R1410	5400-102ADC-00	CF 1 K	R244	5400-102ADC-00	CF 1 K
R1412	5400-471ADC-00	CF 470 Ohm	R245	5400-103ADC-00	CF 10 K
R1413	5400-331ADC-00	CF 330 Ohm	R246	5400-333ADC-00	CF 33 K
R1414	5400-102ADC-00	CF 1 K	R247	5400-271ADC-00	CF 27 Ohm
R1415	5400-272ADC-00	CF 2.7 K	R248	5400-221ADC-00	CF 220 Ohm
R1416	5400-272ADC-00	CF 2.7 K	R249	5400-221ADC-00	CF 220 Ohm
R1417	5400-820ADC-00	CF 82 Ohm	R250	5400-221ADC-00	CF 220 Ohm
R1418	5400-820ADC-00	CF 82 Ohm	R251	5404-822DGC-00	MO 2.2 K 2W 5%
R1419	5400-820ADC-00	CF 82 Ohm	R254	5400-154ADC-00	CF 150 K
R1420	5400-820ADC-00	CF 82 Ohm	R255	5400-130ADC-00	CF 10 K
R1421	5400-102ADC-00	CF 1 K	R256	5400-103ADC-00	CF 10 K
R1422	5400-102ADC-00	CF 1 K	R257	5400-221ADC-00	CF 220 Ohm
R1423	5400-102ADC-00	CF 1 K	R258	5400-122ADC-00	CF 1.2 K
R1424	5400-151ADC-00	CF 150 Ohm	R259	5400-102ADC-00	CF 1 K
R1425	5400-682ADC-00	CF 6.8 K	R260	5400-334ADC-00	CF 330 K
R1427	5400-122ADC-00	CF 1.2 K	R261	5400-183ADC-00	CF 18 K
R1428	5400-333ADC-00	CF 3.3 K	R262	5400-753ADC-00	CF 75 Ohm
R1429	5400-472ADC-00	CF 4.7 K	R263	5400-332ADC-00	CF 33 K
R201	5400-130ADC-00	CF 10 K	R264	5400-101ADC-00	CF 100 Ohm
R202	5400-822ADC-00	CF 8.2 K	R265	5404-220DHC-00	MO 22 K 2W 5%

ELECTRICAL PART LIST (B)

SYMBOL NO.	PART NO.	DESCRIPTION
R265	5400-202ADC-00	CF 2 K
R266	5404-222DGC-00	MO 2.2 K 1W 5%
R267	5400-103ADC-00	CF 10 K
R268	5405-103DIC-01	MO 10 K 3W 5%
R269	5400-471ADC-00	CF 470 Ohm
R270	5400-103ADC-00	CF 10 K
R271	5400-223ADC-00	CF 22 K
R273	5400-561ADC-00	CF 560 Ohm
R274	5400-183ADC-00	CF 18 K
R275	5400-682ADC-00	CF 6.8 K
R276	5400-133ADC-00	CF 13 K
R278	5400-471ADC-00	CF 470 Ohm
R279	5400-471ADC-00	CF 470 Ohm
R280	5400-471ADC-00	CF 470 Ohm
R281	5400-223ADC-00	CF 22 K
R282	5400-102ADC-00	CF 1 K
R286	5400-222ADC-00	CF 2.2 K
R301	5400-333ADC-00	CF 33 K
R303	5400-102ADC-00	CF 1 K
R304	5400-564ADC-00	CF 560 K
R305	5400-153ADC-00	CF 15 K
R306	5400-183ADC-00	CF 18 K
R307	5405-010DGC-00	MO 1 Ohm 1W 5%
R308	5404-222DGC-00	MO 2.2 K 1W 5%
R309	5405-271DHC-00	MO 270 Ohm 2W 5%
R310	5404-022EHC-00	FU 2.2 Ohm 2W 5%
R311	5404-022EGC-00	FU 2.2 Ohm 1W 5%
R312	5400-561ADC-00	CF 560 Ohm
R313	5400-272AFC-00	2.7 K 1/2W 5% 2.7 K
R314	5405-362DKC-01	MO 3.6 K 5W 5%
R315	5400-184AFC-00	CF 180 K 1/2W 5%
R316	5400-220AFC-00	CF 22 Ohm 1/2W 22 Ohm
R317	5400-103AFC-00	CF 10 K 1/2W 5%
R318	5405-039GHD-01	NI 3.9 Ohm 2W 10%
R319	5405-010DGC-00	MO 1 Ohm 1W 5%
R320	5404-223DGC-00	MO 22 K 1W 5%
R331	5400-102ADC-00	CF 1 K
R332	5400-473ADC-00	CF 47 K
R333	5400-183ADC-00	CF 18 K
R334	5400-563ADC-00	CF 56 K
R335	5400-101ADC-00	CF 100 Ohm
R336	5400-272ADC-00	CF 2.7 K
R337	5400-223ADC-00	CF 22 K
R338	5400-101ADC-00	CF 100 Ohm
R339	5400-824ADC-00	CF 820 K
R401	5400-222ADC-00	CF 2.2 K
R402	5400-104ADC-00	CF 100 K
R403	5400-102ADC-00	CF 1 K
R404	5400-153ADC-00	CF 15 K
R405	5400-153ADC-00	CF 15 K
R406	5400-221ADC-00	CF 220 Ohm
R407	5400-221ADC-00	CF 220 Ohm
R408	5400-821ADC-00	CF 820 Ohm
R409	5400-821ADC-00	CF 820 Ohm
R410	5400-821ADC-00	CF 820 Ohm
R411	5400-821ADC-00	CF 820 Ohm
R412	5400-103ADC-00	CF 10 K
R413	5400-103ADC-00	CF 10 K
R414	5400-103ADC-00	CF 10 K
R415	5400-222ADC-00	CF 2.2 K
R416	5400-222ADC-00	CF 2.2 K

SYMBOL NO.	PART NO.	DESCRIPTION
R417	5400-222ADC-00	CF 2.2 K
R418	5400-220ADC-00	CF 22 Ohm
R501	5400-102ADC-00	CF 1 K
R502	5403-302ADC-00	CF 3 K
R503	5403-302ADC-00	CF 3 K
R504	5403-302ADC-00	CF 3 K
R505	5400-222ADC-00	CF 2.2 K
R506	5400-222ADC-00	CF 2.2 K
R507	5400-222ADC-00	CF 2.2 K
R508	5400-471ADC-00	CF 470 Ohm
R509	5400-471ADC-00	CF 470 Ohm
R510	5400-471ADC-00	CF 470 Ohm
R511	5406-124BFD-00	CC 120 K 1/2W 10%
R512	5406-124BFD-00	CC 120 K 1/2W 10%
R513	5406-124BFD-00	CC 120 K 1/2W 10%
R514	5403-912ADC-00	CF 9.1 K
R515	5403-912ADC-00	CF 9.1 K
R516	5403-912ADC-00	CF 9.1 K
R517	5404-153DHC-00	MO 15 K 2W 5%
R518	5404-153DHC-00	MO 15 K 2W 5%
R519	5404-153DHC-00	MO 15 K 2W 5%
R520	5406-272BFD-00	CC 2.7 K 1/2W 10%
R521	5406-272BFD-00	CC 2.7 K 1/2W 10%
R522	5406-272BFD-00	CC 2.7 K 1/2W 10%
R523	5400-104ADC-00	CF 100 K
R524	5400-151ADC-00	CF 150 Ohm
R525	5400-821ADC-00	CF 820 Ohm
R526	5400-331ADC-00	CF 330 Ohm
R527	5400-512ADC-00	CF 5.1 K
R528	5400-101ADC-00	CF 100 Ohm
R529	5400-101ADC-00	CF 100 Ohm
R601	5402-200KZZ-01	PTC THERMISTOR PTH451C40BG200N270
R602	5405-040GPD-00	NI 4 Ohm 10W 10%
R603	5405-022GHD-01	NI 2.2 Ohm 2W 10%
R604	5400-331ADC-00	CF 330 Ohm
R605	5400-682ADC-00	CF 6.8 K
R606	5400-332ADC-00	CF 3.3 K
R607	5400-182ADC-00	CF 1.8 K
R608	5400-822ADC-00	CF 8.2 K
R609	5400-123ADC-00	CF 12 K
R610	5400-682ADC-00	CF 6.8 K
R611	5400-472ADC-00	CF 4.7 K
R612	5404-120DHC-00	MO 12 K 2W 5%
R613	5404-270DHC-00	MO 27 K 2W 5%
R614	5405-002GHD-01	NI 0.2 Ohm 2W 10%
R615	5405-390GLD-01	NI 39 Ohm 6W 10%
R616	5406-184BFD-00	CC 180 K 1/2W 10%
R617	5406-184BFD-00	CC 180 K 1/2W 10%
R618	5406-565BFD-00	CC 5.6 M 1/2W 10%
R619	5600-B203FH-00	CE 0.02 uF 50V +80-20%
R619	5406-565BFD-00	CC 5.6 M 1/2W 10%
R620	5406-275BFD-00	CC 2.7 M 1/2W 10%
R621	5400-103ADC-00	CF 10 K
R622	5400-103ADC-00	CF 10 K
R623	5400-122ADC-00	CF 1.2 K
R624	5400-180ADC-00	CF 18 Ohm
R625	5400-100ADC-00	CF 10 Ohm
R626	5400-122ADC-00	CF 1.2 K
R627	5400-180ADC-00	CF 18 Ohm
R628	5400-100ADC-00	CF 10 Ohm

ELECTRICAL PART LIST (B)

SYMBOL NO.	PART NO.	DESCRIPTION	SYMBOL NO.	PART NO.	DESCRIPTION
R629	5400-104AFC-00	CF 100 K ½W 5%	R850	5400-103ADC-00	CF 10 K
R630	5600-B203FH-00	CE 0.02 uF 50V +80-20%	R851	5400-104ADC-00	CF 100 K
R630	5400-272ADC-00	CF 2.7 K	R852	5400-103ADC-00	CF 10 K
R631	5400-392ADC-00	CF 3.9 K	R901	5400-181AFC-00	CF 180 Ohm ½W 5%
R631	5600-B203FH-00	CE 0.02 uF 50V +80-20%	R902	5400-181AFC-00	CF 180 Ohm ½W 5%
R634	5404-121DHC-00	MO 120 K 2W 5%	SAW F101		
R635	5400-104AFC-00	CF 100 K ½W 5%	6709-010100-01		SUBASS'Y-PIF SAW FILTECH38MQU2
R636	5400-272ADC-00	CF 2.7 K	SOCKET B		
R701	5400-101ADC-00	CF 100 Ohm	6003-01004A-00		WAFER SMK M-1 4PIN
R801	5400-561ADC-00	CF 560 Ohm	SIEL FP916/32		
R802	5400-222ADC-00	CF 2.2 K	6406-040902-00		TUNER-FP916/32 B/G
R803	5400-100ADC-00	CF 10 Ohm	SOCKET A,A', B 005-2100		
R804	5400-102ADC-00	CF 1 K	6001-01001F-00		WAFER TS-80 METAL PIN 1 PIN
R805	5400-222ADC-00	CF 2.2 K	SOCKET D		
R806	5400-102ADC-00	CF 1 K	6003-01003A-00		WAFER SMK M-1 3 PIN
R807	5400-222ADC-00	CF 2.2 K	SOCKET F		
R807	5600-G222GD-00	PO 0.0022 uF 100V ±10%	6005-01005A-00		WAFER TL-25P-05-V1 5 PIN
R808	5400-100ADC-00	CF 10 Ohm	SOCKET G		
R809	5400-222ADC-00	CD 2.2 K	6005-01004A-00		WAFER TL-25P-04-V1 4 PIN
R810	5400-102ADC-00	CF 1 K	SOCKET G'		
R810	5400-102ADC-00	CF 1 K	6005-01003A-00		WAFER TL-25P-03-V1 3 PIN
R811	5400-102ADC-00	CF 1 K	SOCKET I		
R811	5600-C222GD-00	PO 0.0022 uF 100V ±10%	6005-01010A-00		WAFER TL-25P-10-V1 10 PIN
R812	5400-103ADC-00	CF 10 K	SOCKET I		
R813	5400-103ADC-00	CF 10 K	7405-005100-00		CON.ASS'Y-450×2, 440×2 TL-25H
R814	5400-103ADC-00	CF 10 K	SOCKET J		
R815	5400-102ADC-00	CF 1 K	6005-01012A-00		WAFER TL-25P-12-V1 12 PIN
R816	5400-102ADC-00	CF 1 K	SOCKET J		
R817	5400-563ADC-00	CF 56 K	7405-005000-00		CON.ASS'Y-390×3, 400×2 TL-25H
R818	5400-224ADC-00	CF 220 K	SOCKET K		
R819	5400-224ADC-00	CF 220 K	7402-000100-01		CON.ASS'Y-480mm WHITEM1 L2=3.5mm
R819	5600-C473GD-00	PO 0.047 uF 100V ±10%	SOCKET K		
R820	5400-393ADC-00	CF 39 K	6003-01006A-00		WAFER SMK M-1 6 PIN
R820	5600-C473GD-00	PO 0.047 uF 100V ±10%	SOCKET L		
R821	5400-473ADC-00	CF 47 K	6005-01003A-00		WAFER TL-25P-03-V1 3 PIN
R823	5400-222ADC-00	CF 2.2 K	SOCKET N		
R824	5400-222ADC-00	CF 2.2 K	6005-01005A-00		WAFER TL-25P-05-V1 5 PIN
R825	5400-562ADC-00	CF 5.6 K	SOCKET O		
R826	5400-103ADC-00	CF 10 K	6005-01005A-00		WAFER TL-25P-05-V1 5 PIN
R827	5400-270ADC-00	CF 27 Ohm	SW401	6106-010207-AA	SWITCH-1P2T SS12L04G6
R828	5400-151ADC-00	CF 150 Ohm	SW402	6106-010207-AA	SWITCH-1P2T SS12L04G6
R929	5400-562ADC-00	CF 5.6 K	SW602	(SK-42F01 G12)	
R830	5400-151ADC-00	CF 150 Ohm	6106-040201-AA		SWITCH-4P2T SLIDE SPKSK42F01G12
R831	5400-562ADC-00	CF 5.6 K	T301	5901-04001A-AA	TRANSFORMER-H. DRIVE TR-0801-9012
R832	5400-151ADC-00	CF 150 Ohm	T302	MURATR 5902-05012A-AA	TRANSFORMER-FLYBACK #154-164A
R833	5400-561ADC00	CF 560 Ohm	T601	5807-06002A-AA	COIL-AC LINE FILTER
R834	5400-133ADC-00	CF 13 K	T602	5908-06011A-AA	TRANSFORMER- SWITCHING
R835	5400-151ADC-00	CF 150 Ohm	VC1401		
R836	5400-154ADC-00	CF 150 K	5504-A2010B-00		TR 20 PF
R837	5400-274ADC-00	CF 270 K			
R838	5400-394ADC-00	CF 390 K			
R939	5400-394ADC-00	CF 390 K			
R840	5400-273ADC-00	CF 27 K			
R841	5400-273ADC-00	CF 27 K			
R842	5400-102ADC-00	CF 1 K			
R843	5400-102ADC-00	CF 1 K			
R844	5400-102ADC-00	CF 1 K			
R845	5400-047ADC-00	CF 4.7 Ohm			
R846	5400-103ADC-00	CF 10 K			
R847	5400-563ADC-00	CF 56 K			
R848	5400-563ADC-00	CF 56 K			
R849	5400-104ADC-00	CF 100 K			

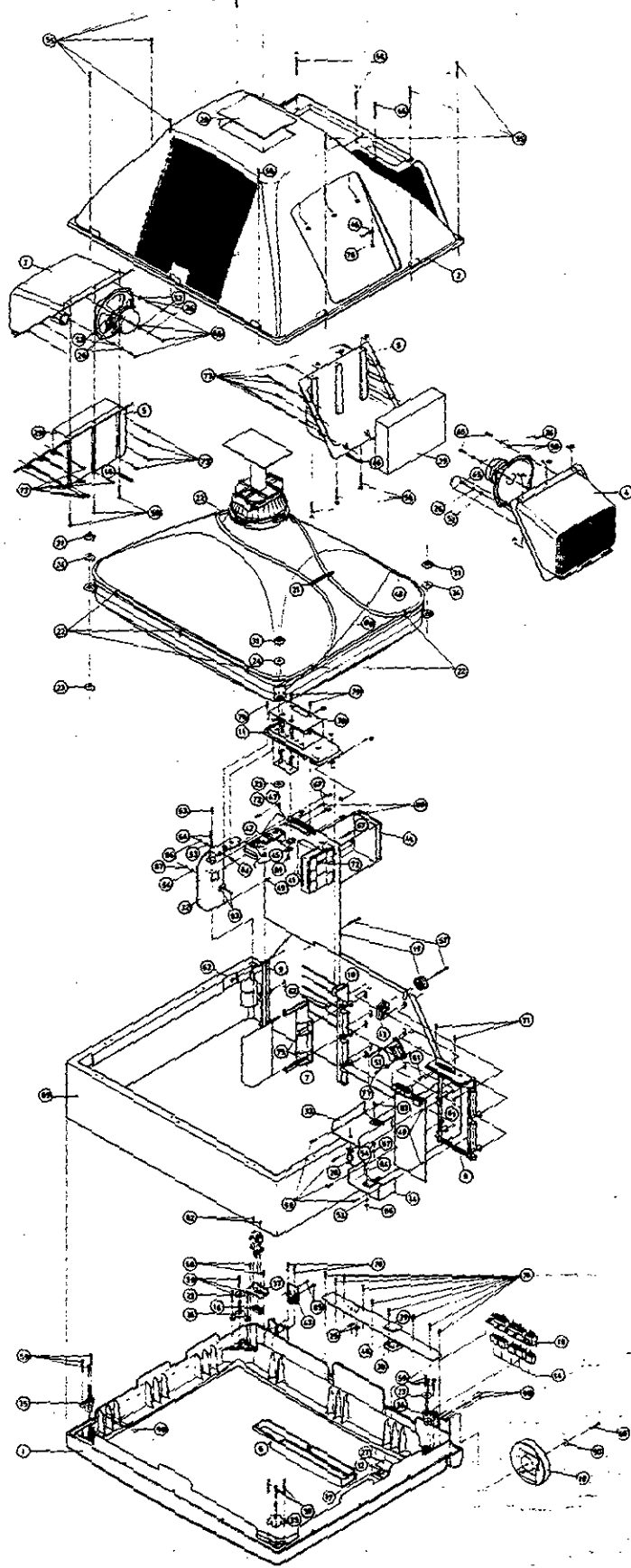
ELECTRICAL PART LIST (B)

SYMBOL NO.	PART NO.	DESCRIPTION
VR101	5301-10402B-00	VR-SEMIFIXED 10 KB RVF8P01-103
VR1401	5301-50302B-00	VR-SEMIFIXED 5 KB RVF8P01-502
VR201	5301-10402A-00	VR-SEMIFIXED 10 KB RVF8W01-103
VR202	5308-10402A-02	VR-ROTARY 10 KB
VR203	5301-10402A-00	VR-SEMIFIXED 10 KB RVF8W01-103
VR204	5301-10302A-00	VR-SEMIFIXED 1 KB RVF8W01-102
VR205	5301-10202A-00	VR-SEMIFIXED 100 B RVF8W01-101
VR206	5302-10505A-00	VR-SEMIFIXED 100 KB V10K8-1-2
VR301	5301-30402A-00	VR-SEMIFIXED 30 KB RVF8W01-303
VR302	5301-10302A-00	VR-SEMIFIXED 1 KB RVF8W01-102
VR303	5301-10402A-00	VR-SEMIFIXED 10 KB RVF8W01-103
VR501	5302-20305A-01	VR-SEMIFIXED 2 KB VM6CK-PH
VR502	5302-20305A-01	VR-SEMIFIXED 2 KB VM6CK-PH
VR503	5302-20305A-01	VR-SEMIFIXED 2 KB VM6CK-PH
VR504	5402-20305A-01	VR-SEMIFIXED 2 KB VM6CK-PH
VR505	5302-20305A-01	VR-SEMIFIXED 2 KB VM6CK-PH
VR601	5301-10302B-00	VR-SEMIFIXED 1 KB RVF8P01-102
VR801	5302-10405A-01	VR-SEMIFIXED 10 KB VM6CK-PH
VR802	5302-10205A-01	VR-SEMIFIXED 500 B VM6CK-PH
VR803	5302-50205A-01	VR-SEMIFIXED 500 B VM6CK-PH
W501	6900-C04912-IA	ST S-490mm RED
W502	6900-C04914-IA	ST S-490mm YELLOW
W503	6900-C04910-IA	ST S-490mm BLACK
W701	L2, L3=3.5mm TINNED 6900-C06002-IA	ST S-60mm RED
W702	L2, L3=3.5mm TINNED 6900-C05000-IA	ST S-50mm BLACK
W.G.	6900-C01010-IA	ST S-100mm BLACK
W.L.	6900-C01019-IA	ST S-100mm WHITE
W.R.	6900-C01012-IA	ST S-100mm RED
X1401	6307-6004AA-00	OSC-CRYSTAL 6.00MHZ
X1402	6307-1385AA-00	OSC-CRYSTAL 13,875KHZ
X701	6301-5003CA-03	OSC-RESONATOR 500 KHz CSB500EB
	5701-B2833A-30	PCB MAIN
	5701-B2833B-00	BCB CRT
	5701-B2833C-00	PCB CONTROL
	5701-B2833D-50	PCB POWER SUPPLY
	5701-B2833F-00	PCB HEADPHONE
	5701-B2833G-02	PCB TELETXT
	5701-B2833G-03	PCB TELETXT

SYMBOL NO.	PART NO.	DESCRIPTION
	5701-B2833H-00	PCB AUDIO OUT
	5701-B2833N-00	PCB PIN CUSHION
	5702-B2833E-00	PCB TRANSMITTER
	6112-010101-AA	SWITCH-1P1T LEAF LSA-1118-1
	6212-01018A-00	X'DUCER-SPEAKER 5" 8 Ohm 4W
	6900-C01811-IA	ST S-180mm BROWN
	6900-C01812-IA	ST S-180mm RED
	6900-C01813-IA	ST S-180mm ORANGE
	6900-C01814-IA	ST S-180mm YELLOW
	6900-C01815-IA	ST S-180mm GREEN
	6900-C01816-IA	ST S-180mm BLUE
	6900-C08000-IA	ST S-80mm BLACK
	6900-C08002-IA	ST S-80mm RED
	6900-C08009-IA	ST S-80mm WHITE
	6901-AK2620-HA	WIRE-AC LINE CORD VDE L=2.6M
	7006-66115A-AA	PICTURE TUBE-COLOR NOKIA 28"
	7201-04003F-00	JACK-PIN (EARTH TERM) JPJ0328-03-020
	7201-06004B-00	SOCKET-PICTURE TUBE HPS0150-01-010
	7201-12002E-00	SOCKET-SCART (21 PIN) HXC1510-01-300
	7202-14001F-00	SOCKET-SPEAKER TERM. 4PSQ2743
	7203-07001A-00	SOCKET-FUSE HOLDER

EXPLODED VIEW OF MAIN UNIT

CTV 2000



MECHANICAL PARTS LIST FOR MAIN UNIT

ITEM	PARTS NO.	DESCRIPTION
1	01-01-GA0188-07	Front Panel
2	01-01-GA0189-00	Back Cabinet
3	01-01-FA0190-00	Speaker Box
4	01-01-FA0191-00	Speaker Box
5	01-01-FA0227-00	Speaker Box Rear
6	01-01-DA0192-05	Control Compartment Door
7	01-01-DA0229-00	Teletext P.C.B. Mtg. Bracket
8	01-01-EA0193-00	Audio P.C. Board Chassis
9	01-01-DA0194-00	Main P.C.B. Mtg. Bracket - Left
10	01-01-CA0195-00	Main P.C.B. Mtg. Bracket - Right
11	01-01-DA0196-00	Jack Plate
12	01-01-DA0249-01	Display Lens
13	01-01-DA0198-00	AC Line Cord Holder
14	01-01-BA0252-00	Control Button
15	01-01-BA0200-01	Power Knob
16	01-01-CA0253-00	Front Plastic Foot
17	01-01-AA0254-00	Rear Plastic Foot
18	01-01-NA0036-00	Cable Tie - L=4"
19	01-01-AA0032-00	Wire Fixer
20	01-01-NA0235-00	Cable Tie - L=10"
21	03-01-AA0112-00	Rubber Washer $\phi 22 \times \phi 6 \times 2$ THK.
22	03-01-AA0003-00	Rubber Washer $\phi 22 \times 4$ THK.
23	03-01-AA0008-00	Slide Knob Cushion
24	03-01-AA0058-00	Rubber Washer $\phi 10 \times \phi 4.8 \times 2$ THK.
25	03-01-BA0092-01	VR Function Plate
26	03-01-AA0093-01	Sw. Function Plate
27	03-01-AA0094-01	Display Plate
28	03-01-BA0095-40	Back Plate
29	03-01-NA0113-00	Absorbing Sound Cotton
30	03-01-BA0114-01	Jack Plate Inlay - A
31	03-01-AA0116-00	Fibre Plate
32	04-01-AA0010-00	M6 Nut For Picture Tube Mtg.
33	04-01-DA0150-00	Heat Sink Bracket For Flyback Mtg.
34	04-01-CA0111-00	Heat Sink For Audio Amplifier
35	04-01-CA0112-00	Heat Sink For Power Supply

ITEM	PARTS NO.	DESCRIPTION
36	04-01-BA0113-00	Picture Tube Mtg. Bracket
37	04-01-AA0009-00	Picture Tube Mtg. Bracket
38	04-01-AA0114-00	Power Sw. Mtg. Bracket
39	04-01-AA0115-00	Infrared Shielding Cover
40	04-01-AA0116-00	Infrared Shielding Plate
41	04-01-AA0117-00	Infrared Shielding Can
42	04-01-BA0119-00	P.I.F. Shielding Cover
43	04-01-AA0049-00	Transistor Heat Sink
44	04-01-AA0123-00	Headphone Jack Mtg. Bracket
45	04-01-AA0016-00	Knitted Clip
46	04-01-CA0125-00	P.I.F. Shielding Plate
47	04-01-AA0014-00	Transistor Clip
48	04-01-NAC033-00	Wire Lug
49	04-01-AA0090-00	21 Pin Sockey Mtg. Bracket
50	06-01-AB0004-00	Grounding Wire Spring
51	12-01-NS0001-00	Soldering Lug
52	14-01-PE4014-M1	Plain Washer Plastic Foot Mtg.
53	14-01-PE4008-M0	Plain Washer For Speaker Mtg.
54	14-01-SD3256-S2	Spring Washer For Transistor Mtg.
55	14-01-SD3256-S2	Spring Washer For IC Mtg.
56	15-1B-T40012-20	Screw T4X20 B/H (+)
57	15-1B-T40012-20	Screw T4X20 B/H (+)
58	15-1B-T40012-18	Screw T4X18 B/H (+)
59	15-1B-T40012-20	Screw T4X20 B/H (+)
60	15-1P-T40012-18	Screw T4X18 P/H (+)
61	15-1B-T35012-12	Screw T3.5X12 B/H (+)

MECHANICAL PARTS LIST FOR MAIN UNIT

ITEM	PARTS NO.	DESCRIPTION
62.	15-1B-T35012-12	Screw T3.5×12 B/H (+)
63.	15-1B-T35012-12	Screw T3.5×12 B/H (+)
64.	15-1B-T40002-12	Screw T4×12 B/H (+)
65.	15-1B-T40002-12	Screw T4×12 B/H (+)
66.	15-1B-T40002-12	Screw T4×12 B/H (+)
67.	15-1B-T35012-18	Screw T3.5×18 B/H (+)
68.	15-1B-T30012-10	Screw T3×10 B/H (+)
69.	15-1B-T30012-10	Screw T3×10 B/H (+)
70.	15-1P-T30012-10	Screw T3×10 P/H (+)
71.	15-1B-T40012-12	Screw T4×12 B/H (+)
72.	15-1P-T30013-10	Screw T3×10 P/H (+)
73.	15-1B-T30012-08	Screw T3×8 B/H (+)
74.	15-1B-T40002-12	Screw T4×12 B/H (+)
75.	15-1B-T30012-08	Screw T3×8 B/H (+)
76.	15-1B-T30012-08	Screw T3×8 B/H (+)
77.	15-1B-T30012-12	Screw T3×12 B/H (+)
78.	15-1P-T30012-10	Screw T3×10 P/H (+)
79.	15-1B-T35012-14	Screw T3.5×14 B/H (+)
80.	15-1B-M30503-10	Screw M3×10 B/H (+)
81.	15-1P-M30502-06	Screw M3×6 P/H (+)
82.	15-1P-M30502-06	Screw M3×6 P/H (+)
83.	15-1B-M30502-06	Screw M3×6 B/H (+)
84.	15-1B-M30502-10	Screw M3×10 B/H (+)
85.	15-1B-M30503-12	Screw M3×12 B/H (+)

ITEM	PARTS NO.	DESCRIPTION
86.	15-1P-M30502-05	Screw M3×5 P/H (+)
87.	16-1H-M30502-03	M3 Nut For Heat Sink/Transistor Mtg.
88.	16-1H-M30502-03	M3 Nut For Heat Sink/IC Mtg.
89.	18-01-021400-02	Knitted Copper Wire L = 1400 mm
90.	31-01-GA0001-00	Woodgrain Cabinet
91.	32-01-NA0005-00	U-Staples

EXPLODED VIEW OF REMOTE CONTROL UNIT

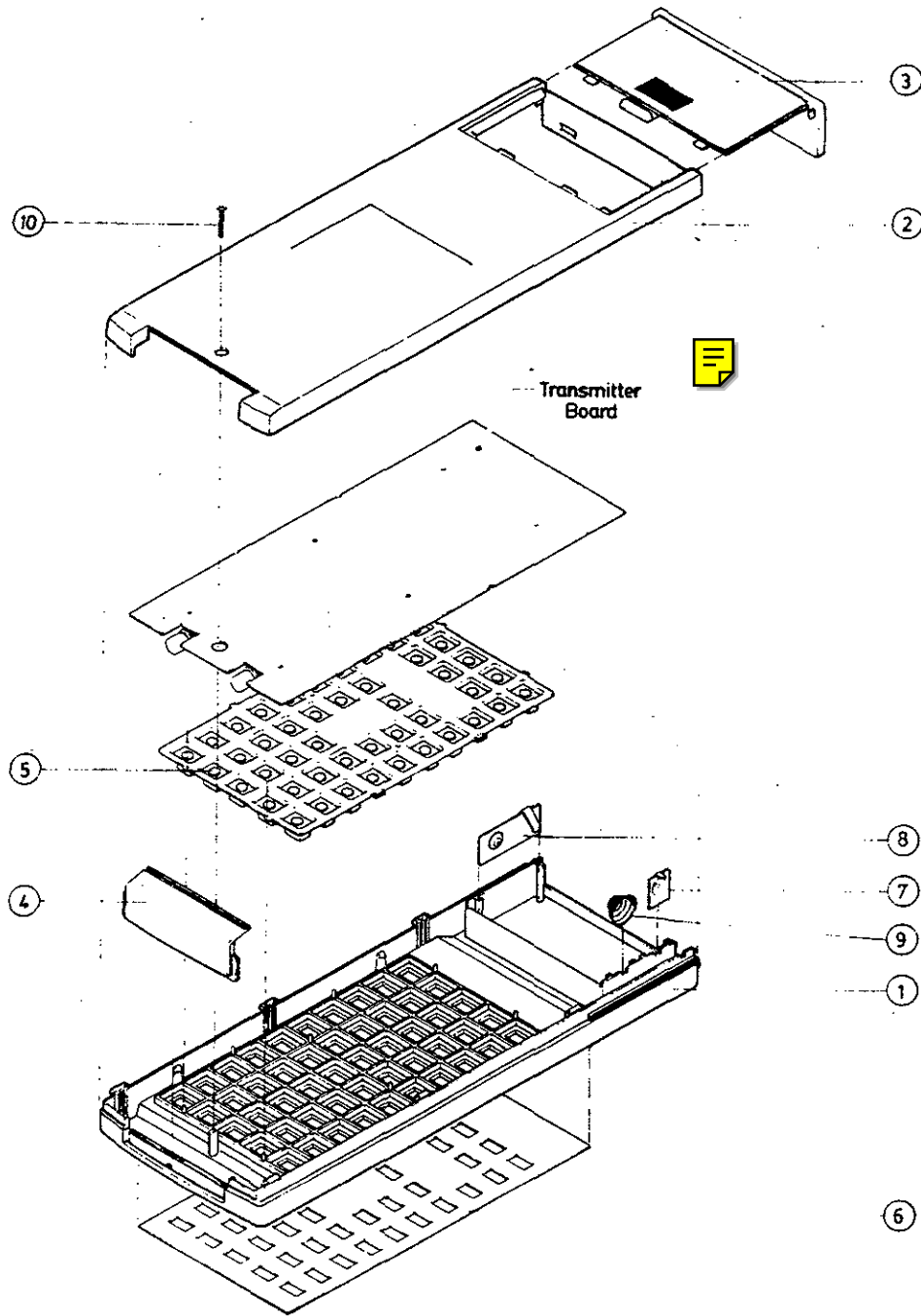


Fig. 42

MECHANICAL PARTS LIST REMOTE CONTROL UNIT

ITEM	PARTS NO.	DESCRIPTION
1.	01-01-EA0207-03	Top Cabinet
2.	01-01-EA0208-03	Bottom Cabinet
3.	01-01-CA0051-08	Battery Door
4.	01-01-BA0210-00	Infrared Lens
5.	03-01-DA0098-00	Rubber Contact Plate
6.	03-01-BA0099-00	Control Front Trim Plate

ITEM	PARTS NO.	DESCRIPTION
7.	04-01-AA0024-00	Battery Contact Plate (+)
8.	04-01-AA0025-00	Battery Contact Plate (±/−)
9.	06-01-AA0006-00	Battery Contact Spring (−)
10.	15-1P-T26013-08	Screw T2.6 X 8 P/H (+)

RECEIVING FREQUENCY VS. CHANNEL

UNIT: MHz

Ch. No.	Picture freq.	Sound freq.	OSC. freq.	Image freq.
VHF _L 2	48.25	53.75	87.15	126.05
3	55.25	60.75	94.15	133.05
4	62.25	67.75	101.15	140.05
SS1	69.25	74.75	108.15	147.05
SS2	76.25	81.75	115.15	154.05
SS3	83.25	88.75	122.15	161.05
S1	105.25	110.75	144.15	183.05
VHF _H S2	112.25	117.75	151.15	190.05
S3	119.25	124.75	158.15	197.05
S4	126.25	131.75	165.15	204.05
S5	133.25	138.75	172.15	211.05
S6	140.25	145.75	179.15	218.05
S7	147.25	152.75	186.15	225.05
S8	154.25	159.75	193.15	232.05
S9	161.25	166.75	200.15	239.05
S10	168.25	173.75	207.15	246.05
5	175.25	180.75	214.15	253.05
6	182.25	187.75	221.15	260.05
7	189.25	194.75	228.15	267.05
8	196.25	201.75	235.15	274.05
9	203.25	208.75	242.15	281.05
10	210.25	215.75	249.15	288.05
11	217.25	222.75	256.15	295.05
12	224.25	229.75	263.15	302.05
S11	231.25	236.75	270.15	309.05
S12	238.25	243.75	277.15	316.05
S13	245.25	250.75	284.15	323.05
S14	252.25	257.75	291.15	330.05
S15	259.25	264.75	298.15	337.05
S16	266.25	271.75	305.15	344.05
S17	273.25	278.75	312.15	351.05
S18	280.25	285.75	319.15	358.05
S19	287.25	292.75	326.15	365.05
S20	294.25	299.75	333.15	372.05
VHF 21	471.25	476.75	510.15	549.05
22	479.25	484.75	518.15	557.05
23	489.25	492.75	526.15	565.05
24	495.25	500.75	534.15	573.05
25	503.25	508.75	542.15	581.05
26	511.75	516.75	550.15	589.05
27	519.25	524.75	558.15	597.05
28	527.25	532.75	566.15	605.05
29	535.25	540.75	574.15	613.05
30	543.25	548.75	582.15	621.05
31	551.25	556.75	590.15	629.05
32	559.25	564.75	598.15	637.05
33	567.25	572.75	606.15	649.05
34	575.25	580.75	614.15	654.05
35	583.25	588.75	622.15	661.05
36	591.25	596.75	630.15	669.05
37	599.25	604.75	638.15	677.05
38	607.25	612.75	646.15	685.05
39	615.25	620.75	654.15	693.05
40	623.25	628.75	662.15	701.05
41	631.25	630.75	670.14	709.05
42	639.25	644.75	678.15	717.05

RECEIVING FREQUENCY VS. CHANNEL

UNIT: MHz

Ch. No.	Picture freq.	Sound Freq.	OSC. freq.	Image freq.
43	647.25	652.75	686.15	725.05
44	655.25	660.75	694.15	733.05
45	663.25	668.75	670.15	741.05
46	671.25	676.75	710.15	749.05
47	679.25	684.75	718.15	757.05
48	687.25	692.75	726.15	765.05
49	695.25	700.75	734.15	773.05
50	702.25	708.75	742.15	781.05
51	711.25	716.75	750.15	789.05
52	719.25	724.75	758.15	797.05
53	727.25	732.75	766.15	805.05
54	735.25	740.75	774.15	813.05
55	743.25	748.75	782.15	821.05
56	751.25	756.75	790.15	829.05
57	759.25	764.75	798.15	839.05
58	767.25	772.75	806.15	845.05
59	775.25	780.75	814.15	853.05
60	783.25	788.75	822.15	861.05
61	791.25	796.75	830.15	869.05
62	799.25	804.75	838.15	877.05
63	807.25	812.75	846.15	885.05
64	815.25	820.75	854.15	893.05
65	823.25	828.75	862.15	901.05
66	831.25	836.75	870.15	909.05
67	839.25	844.75	878.15	917.05
68	847.25	852.75	886.15	925.05
69	855.25	860.75	894.15	933.05

SPECIFICATIONS

Television Systems	:	SECAM B/G, L for 625 lines PAL B/G system for 625 lines
Color System	:	PAL/SECAM
Channel Coverage	:	VHF _(L) Channel 2 to 4 CATV SS1-SS3, S1 VHF _(H) Channel 5 to 12 CATV S2-S20 UHF Channel 21 to 69
Picture Tube Size	:	71cm
Aerial	:	75ohm Unbalance (EXT)
Speaker	:	120mm X 2 8 ohm
Audio Output	:	8W (MAX.) X 2
Power Requirements	:	AC 220V 50Hz
Power Consumption	:	140W (MAX.)
Dimensions (W X H X D)	:	650 X 585 X 485mm
Weight	:	49Kg.

*Design and specifications are subject to change without notice.

MAIN / CRT SCHEMATIC DIAGRAM

<NOTE>

- 1.No indicated NPN type transistors are used KTC3199 (GR), 2SC1740S (R, S), 2SC3331 (T, U), 2SC1685 (R, S) or 2SC1815 (GR).
- 2.No indicated PNP type transistors are used KTA1267 (GR), 2SA933S (R, S), 2SA1318 (T, U), 2SA564 (R, S) or 2SA1015 (GR).
- 3.No indicated diodes are used 1SS133 or 1SS176.

CAUTION:

FOR CONTINUED PROTECTION AGAINST FIRE HAZARD,
REPLACE ONLY WITH THE SAME TYPE T4AH 250V FUSE.
ATTENTION: POUR UNE PROTECTION CONTINUE LES RISQUES
D'INCEIE N'UTILISER QUE DES FUSIBLE DE MEMO TYPE T4AH 250V.
RISK OF FIRE - REPLACE FUSE AS MARKED.

